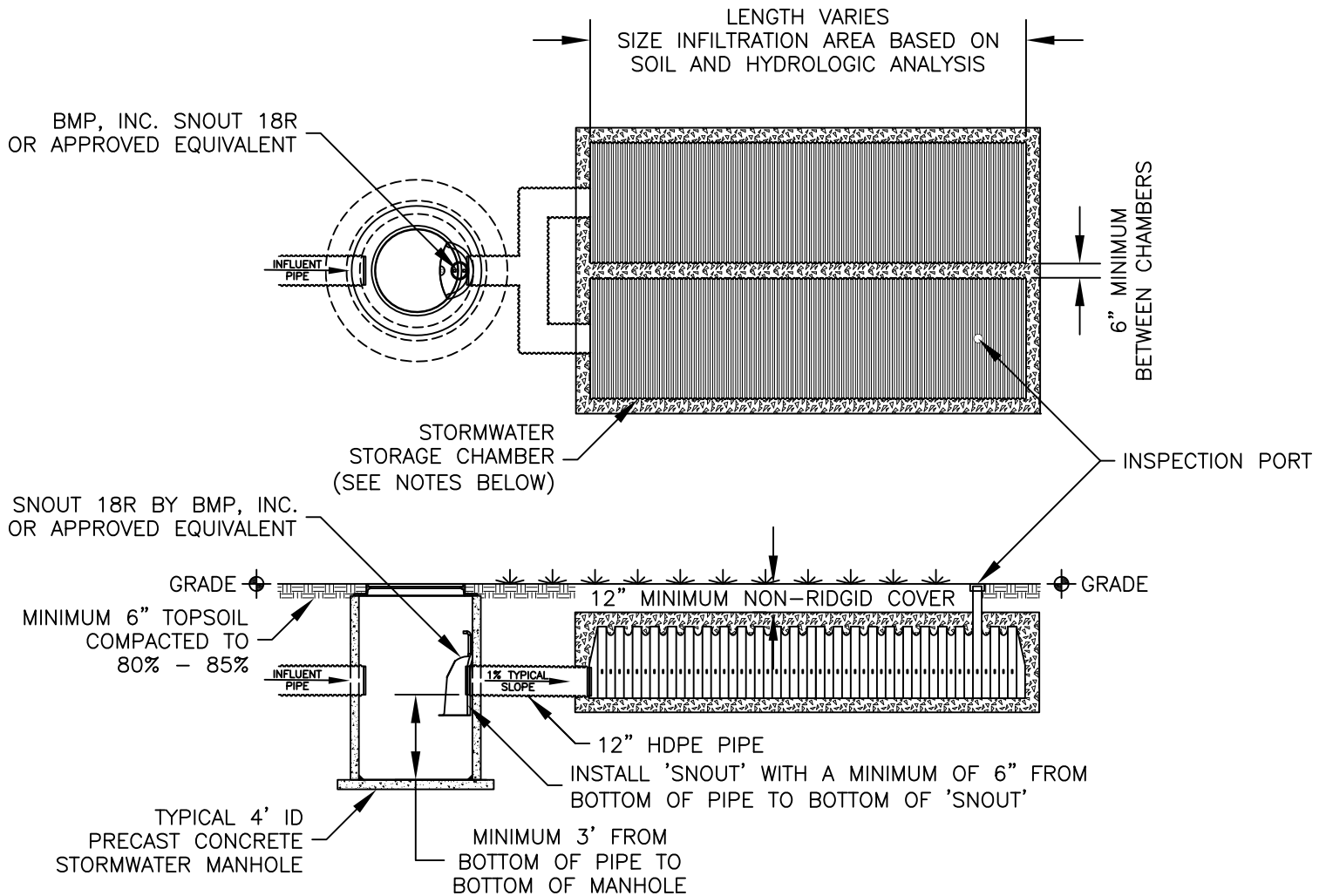


STORMWATER MANAGEMENT SUBSURFACE INFILTRATION WITH PRETREATMENT



1. SUBSTITUTION OF 'EQUIVALENT' MATERIALS / PRODUCTS SHALL BE SUBMITTED TO AND APPROVED BY CITY ENGINEER PRIOR TO COMMENCEMENT OF WORK
2. ALL MATERIALS SHALL BE INSTALLED AS PER MANUFACTURER SPECIFICATIONS FOR WARRANTY INSTALLATION
3. THIS SYSTEM MAY BE USED FOR DRAINAGE AREAS WITH UP TO ONE (1) ACRE OF IMPERVIOUS SURFACE
4. NO MORE THAN TWO CHAMBERS SHALL BE INSTALLED IN PARALLEL AT ANY SINGLE LOCATION
5. HERBACEOUS PLANTINGS SUCH AS GRASSES AND FERNS AS WELL AS ANNUAL, BIENNIAL OR PERENNIAL FLOWERS MAY BE USED OVER CHAMBERS, HOWEVER NON-HERBACEOUS WOODY VEGETATION SUCH AS TREES, SHRUBS AND VINES SHALL NOT BE USED
6. NON-MOTORIZED PEDESTRIAN FACILITIES MAY PASS OVER CHAMBERS, HOWEVER MOTORIZED VEHICULAR TRAFFIC; DRIVEWAYS, PARKING AREAS, ROADS, ETC., SHALL NOT
7. STORMWATER STORAGE CHAMBER SHALL BE CONTECH CHAMBERMAXX, ADS STORMTECH OR APPROVED EQUIVALENT
8. STORMWATER STORAGE CHAMBER SHALL BE SURROUNDED ON TOP, BOTTOM AND ALL SIDES WITH A MINIMUM OF 6" COVER / DEPTH / THICKNESS OF FREE-DRAINING ANGULAR / CRUSHED WASHED STONE 3/4" DIAMETER - 2" DIAMETER MATERIAL AND SURROUNDED WITH TENCATE MIRAFI(R) RSi SERIES GEOTEXTILE OR APPROVED EQUIVALENT - TOP, BOTTOM AND ALL SIDES - OVERLAP SEAMS AND SECURE IN-PLACE
7. INSPECTION PORT, ONE REQUIRED PER INSTALLATION, SHALL BE 4"Ø SCH40 PVC PIPE RISER AND COVER
8. 'SNOOT' MAY BE INSTALLED IN A CONCRETE MANHOLE WITH A SOLID CASTING STORMWATER LID OR A GRATED STORMWATER INLET LID