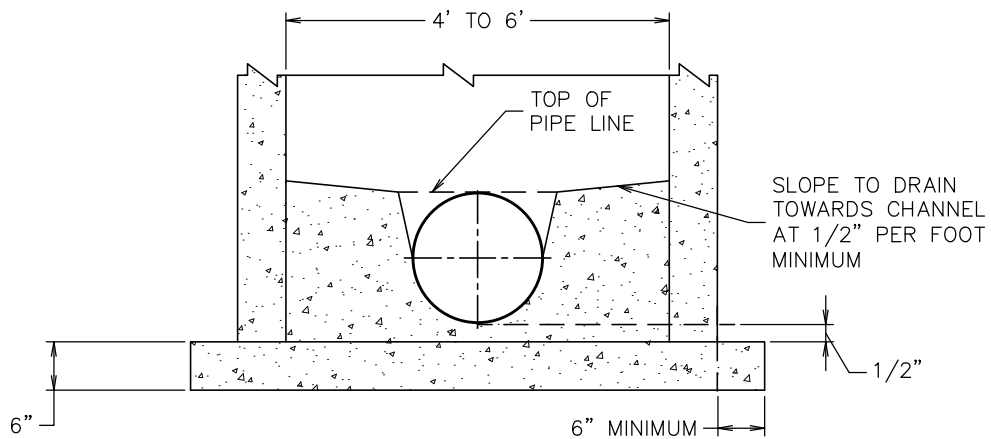


PLAN VIEW



SECTION VIEW



Engineering Division

Storm Water Manhole - Precast Base (Sheet 3 of 3)

AS

Approved By
Utility Engineer
Andy Schultz, PE

Adopted: 09/28/2020
Revised: 02/01/2021

STD - 612-3