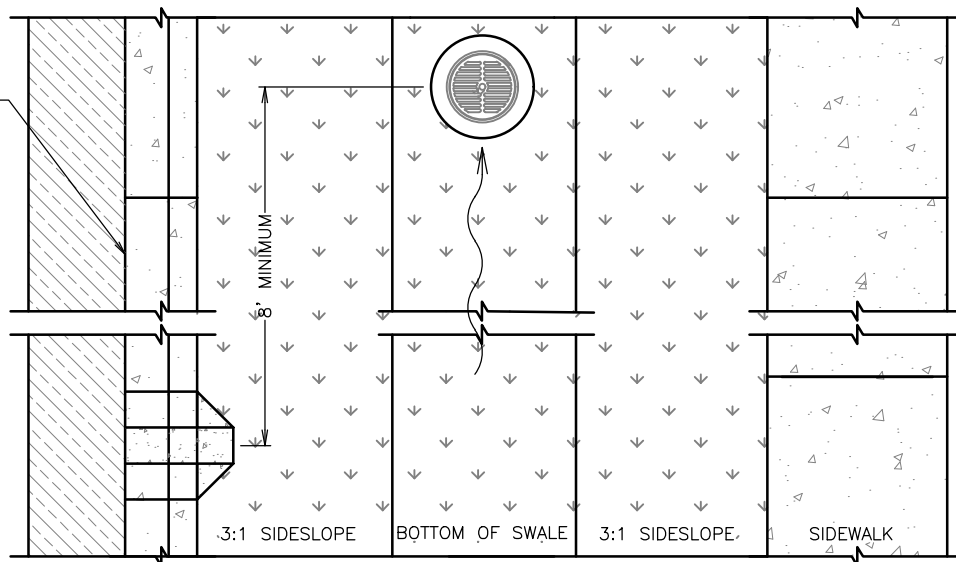
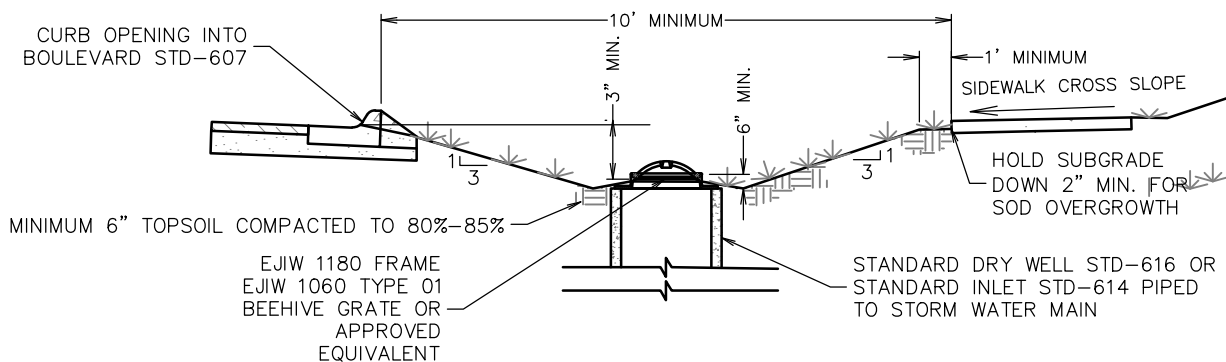


TYPICAL "L" TYPE CURB/GUTTER SECTION STD-740



CURB OPENING INTO BOULEVARD STD-607



**GENERAL NOTES:**

1. SWALE DESIGN WIDTH AND DEPTH WILL VARY AS REQUIRED TO PROVIDE ADEQUATE TREATMENT STORAGE FOR THE GIVEN STORM VOLUME.
2. DRY WELL/INLET SHALL BE INSTALLED A MINIMUM OF 8 FT FROM THE NEAREST INLET TO PREVENT DIRECT INFLOW INTO THE OVERFLOW GRATE. PROVIDE A MINIMUM OF 3" FREEBOARD BETWEEN THE LOWEST SWALE INLET AND THE BASE OF THE TOP OF THE BEEHIVE GRATE.
3. SWALES WITH LONGITUDINAL SLOPE STEEPER THAN 2% SHALL HAVE CHECK DAMS INSTALLED.
4. PROVIDE A MINIMUM 1 FT FLAT AREA ADJACENT TO SIDEWALK WHEN USING A SIDE-SLOPE NO STEEPER THAN 3:1. IF FLAT AREA IS NOT PROVIDED ADJACENT TO SIDEWALK, THEN USE A SIDE-SLOPE NO STEEPER THAN 4:1.
5. NO COMPACTION IN SWALE BOTTOM.
6. SWALES SHALL BE GRASSED OR THE CITY OF MISSOULA STORM WATER DEPARTMENT CONSULTED FOR PROPER PLANT SELECTION IN SWALE.

**APPROVED BIOSWALE PLANTINGS**

GRASSES

- BLUEBUNCH WHEATGRASS, PSEUDOROEGNERIA SPICATA
- TUFTED HAIRGRASS, DESCHAMPSIA CESPITOSA
- WESTERN WHEATGRASS, PASCOPYRUM SMITHII
- SANDBERG'S BLUEGRASS, POA SECUNDA
- SLENDER WHEATGRASS, ELYMUS TRACHYCAULUS

FORBS

- BLANKETFLOWER, GALLARDIA ARISTATA
- YARROW, ACHILLEA MILLEFOLIUM
- SHOWY MILKWEED, ASCLEPIAS SPECIOSA

SHRUBS AND TREES

- RUBBER RABBITBRUSH, ERICAMERIA NAUSEOSA
- SILVER BUFFALOBERRY, SHEPHERDIA ARGENTEA
- GOLDEN CURRANT, RIBES AUREUM
- SNOWBERRY, SYMPHORICARPOS ALBUS OR OCCIDENTALIS
- SKUNKBUSH SUMAC, RHUS TRILOBATA



Engineering Division

**Bioswale**

Approved By  
Utility Engineer  
Andy Schultz, PE

Revised: 09/28/2020

**STD - 620**