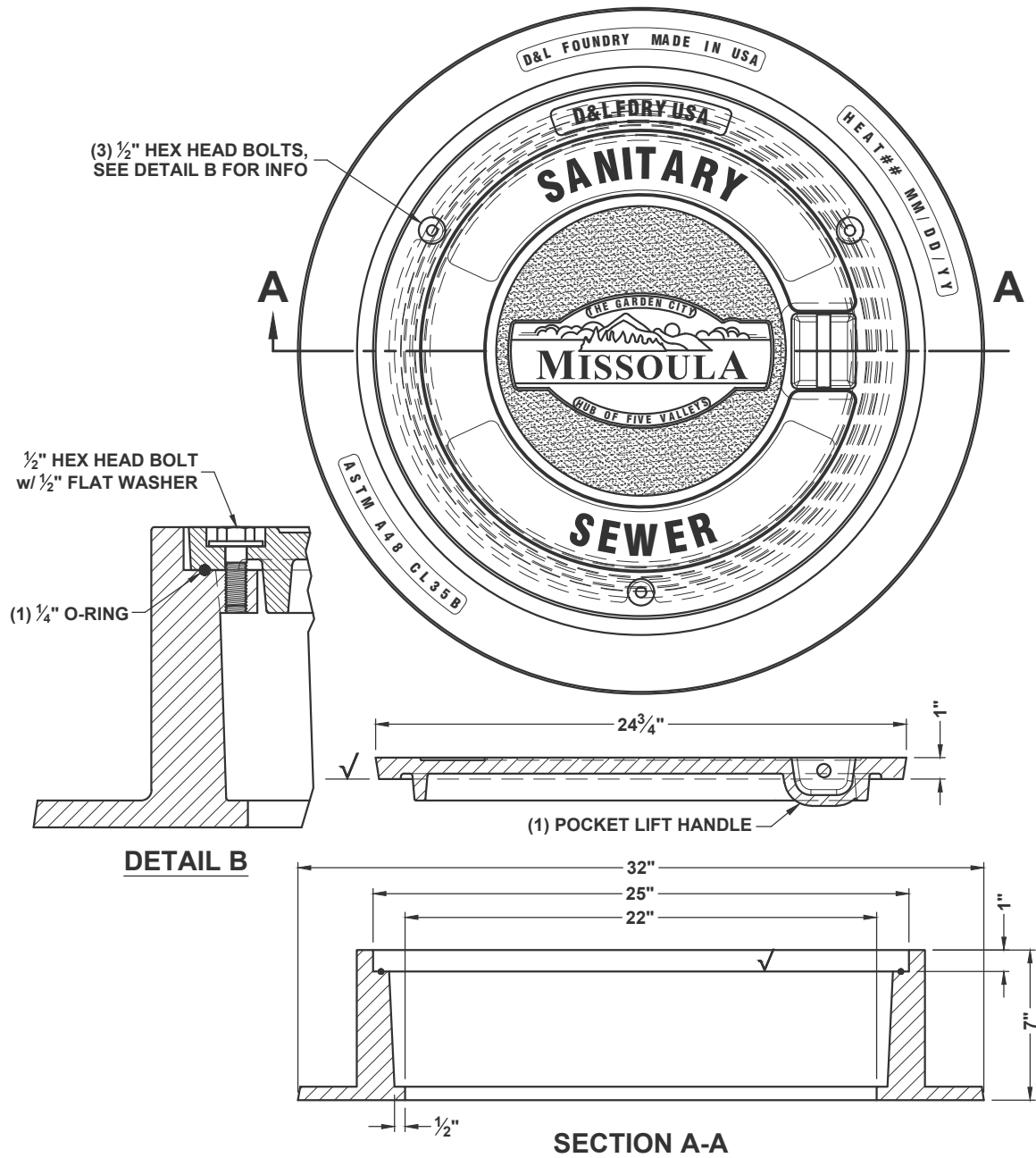


EJCO 3777Z1/AGS, D&L A-1171 LOCKABLE  
OR APPROVED EQUIVALENT



GENERAL NOTES:

1. D&L FOUNDRY A-1171 BOLT DOWN, WATER TIGHT LIDS ARE REQUIRED FOR ALL CITY-OWNED AND PRIVATELY-OWNED MANHOLES. PRIVATELY OWNED MANHOLES SHALL BE LABELLED WITH THE WORDS "SANITARY SEWER", BUT SHALL NOT USE THE CITY OF MISSOULA LOGO.
2. PROVIDE LIDS AND RINGS THAT MEET AASHTO 306 HS20 LOADING RATING OR HIGHER.
3. COMPOSITE TAPERED GRADE RINGS SHALL BE USED TO MATCH FRAME & GRATE TO THE CURB LINE CROSS SLOPE AND RUNNING SLOPE OR STREET CROSS SLOPE AND RUNNING SLOPE WHERE NOT IN CONCRETE.
4. A 4-INCH MANHOLE RING MAY BE USED IN LIEU OF A 7-INCH RING ONLY WITH PRIOR APPROVAL FROM CITY ENGINEERING.



Engineering Division

Sanitary Sewer Lid

*Ross Mollenhauer*

Approved By Utility  
Project Manager –  
Ross Mollenhauer, PE

Adopted: 09/28/2020  
Revised: 06/24/2021

STD - 510