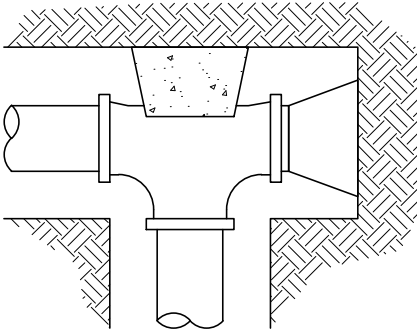
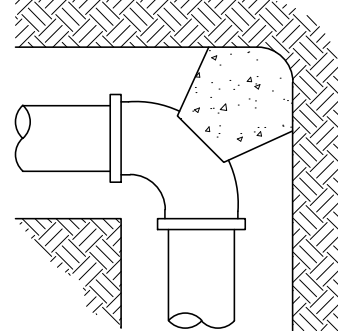


TEE



TEE (PLUGGED)



BEND

DIMENSIONS FOR THRUST BLOCKING

FITTING SIZES	TEES & PLUGS		90° BEND		45° BEND & WYES		REDUCERS & 22 1/2° BEND	
	A	B	A	B	A	B	A	B
4" & 6"	2'-0"	1'-11"	2'-5"	2'-2"	1'-10"	1'-7"	1'-9"	0'-10"
8"	2'-8"	2'-6"	3'-2"	3'-0"	2'-5"	2'-1"	1'-9"	1'-6"
10"	4'-0"	3'-3"	4'-0"	3'-10"	3'-0"	2'-9"	2'-2"	1'-11"
12"	4'-0"	3'-10"	4'-8"	4'-8"	3'-8"	3'-3"	2'-7"	2'-3"
16"	4'-6"	4'-0"	5'-0"	4'-8"	4'-0"	3'-0"	3'-0"	2'-6"
20"	5'-0"	5'-0"	7'-0"	5'-0"	4'-6"	4'-0"	3'-0"	3'-0"
24"	6'-10"	5'-0"	10'-0"	5'-0"	5'-8"	4'-6"	3'-8"	3'-8"

NOTES:

1. THIS TABLE IS BASED ON 2000 PSF SOIL BEARING PRESSURE AND 150 PSI MAIN PRESSURE.
2. WRAP ALL FITTINGS WITH POLYETHYLENE PRIOR TO PLACING CONCRETE.

December 2021



Engineering Division

Thrust Block Detail

Logan McInnis

Approved By
Utilities Engineer
Logan McInnis, PE

Revised: 09/28/2020

STD - 407