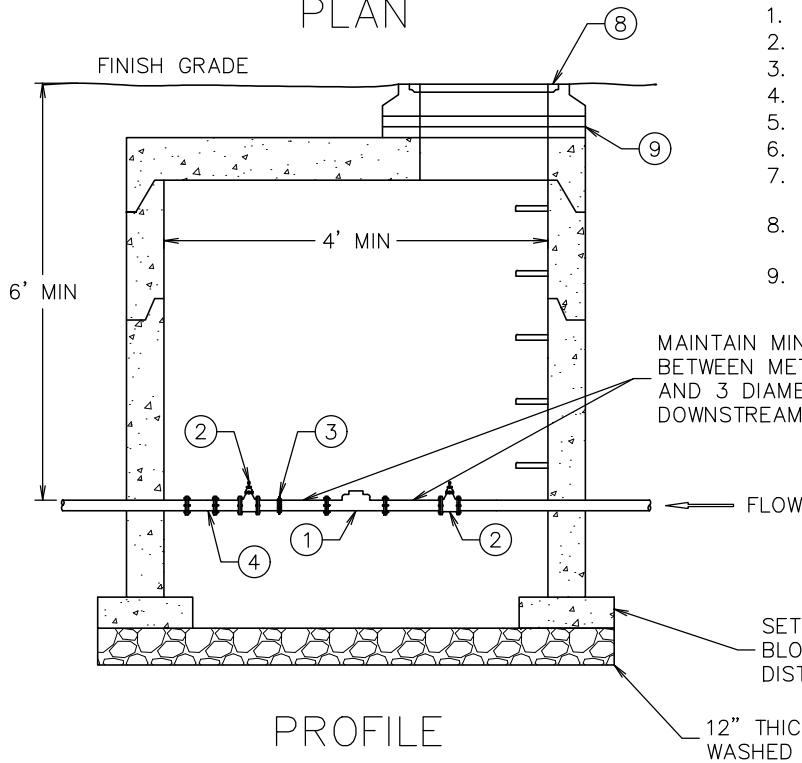


PLAN



PROFILE

LEGEND:
(SIZES BASED ON 2" METER, ADJUST ALL TO MATCH FOR 1 1/2" METER)

1. 2" METER
2. 2" CURB STOP (SEE GENERAL NOTE 2)
3. 2" UNION
4. 2"x1" TEE
5. 1" NIPPLE
6. 1" CURB STOP (SEE GENERAL NOTE 2)
7. 1" CAP OR PLUG. TO BE INSTALLED AT ALL TIMES VALVE IS CLOSED
8. EJIW 3770 CAST IRON RING AND COVER MARKED "WATER"
9. CONCRETE ADJUSTING RINGS

MAINTAIN MINIMUM OF 5 PIPE DIAMETERS BETWEEN METER AND UPSTREAM VALVE AND 3 DIAMETERS BETWEEN METER AND DOWNSTREAM VALVE

SET MANHOLE ON 4 CMU BLOCKS SPACED EQUAL DISTANCE AROUND MANHOLE

12" THICKNESS 3/4" WASHED DRAIN ROCK

GENERAL NOTES:

1. METER PIT SHALL BE INSTALLED 2-5' OUTSIDE THE RIGHT OF WAY.
2. CURB STOP VALVES SHALL BE MUELLER 300 SERIES VALVE, FORD B-66 SERCIES CURB VALVE OR AY MCDONALD 76104 SERIES BALL VALVE OR APPROVED EQUAL.
3. NO OBSTRUCTIONS SHALL BE PLACED WITHIN A MINIMUM 4 FT RADIUS AROUND THE METER PIT TO ALLOW ACCESS TO THE PIT.
4. NO PRV'S, CHECK VALVES OR BACKFLOW DEVICES ALLOWED IN METER PIT.
5. FOR PROJECTS WHERE THE INFRASTRUCTURE WILL BE MAINTAINED BY MISSOULA PARKS AND RECREATION, THE LID SHALL BE FLAT WITH 24" LID CENTERED ON THE STRUCTURE. METER AND VALVES SHALL BE DIRECTLY BELOW LID.
6. THIS DIAGRAM IS NOT PROJECT SPECIFIC AND IS NOT INTENDED TO BE A DESIGN DRAWING. THE OWNER IS RESPONSIBLE TO COMPLY WITH ALL APPLICABLE BUILDING CODES. THIS DETAIL MAY CHANGE AT ANY TIME AND IT IS THE OWNER'S RESPONSIBILITY TO OBTAIN THE MOST CURRENT VERSION OF THIS AND OTHER CITY REQUIREMENTS.

December 2021



Engineering Division

Large (1 1/2" and 2") Irrigation Meter Pit Detail

Logan McInnis

Approved By
Utilities Engineer
Logan McInnis, PE

Adopted: 09/28/2020
Revised: 02/04/2021

STD - 412