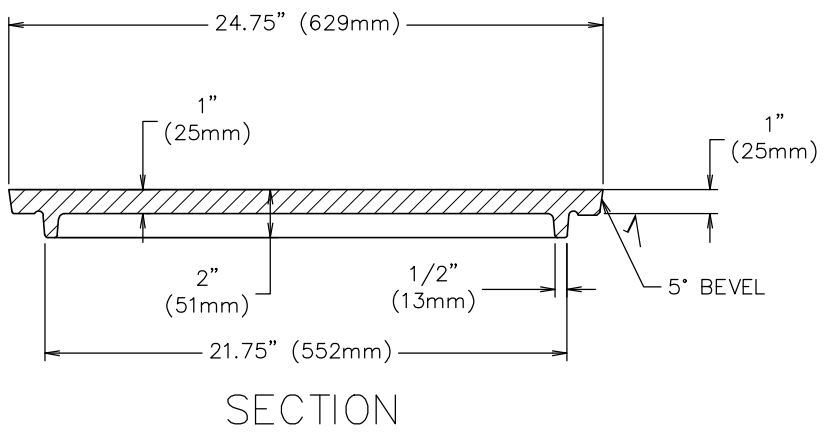
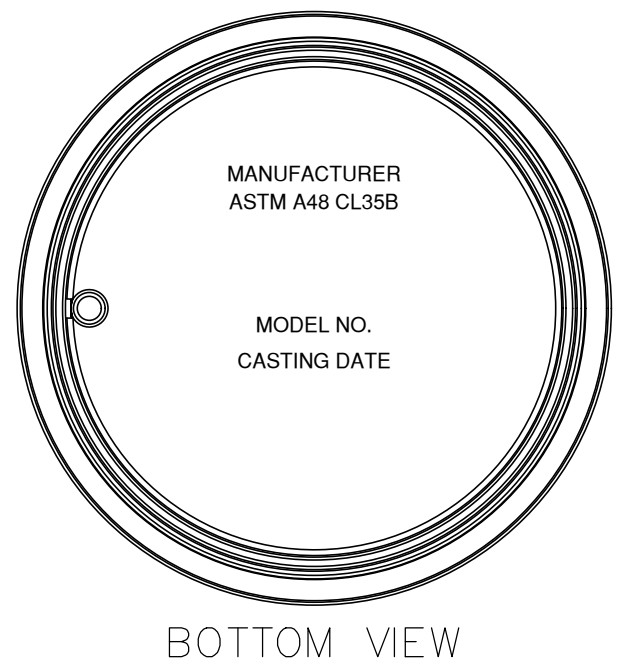
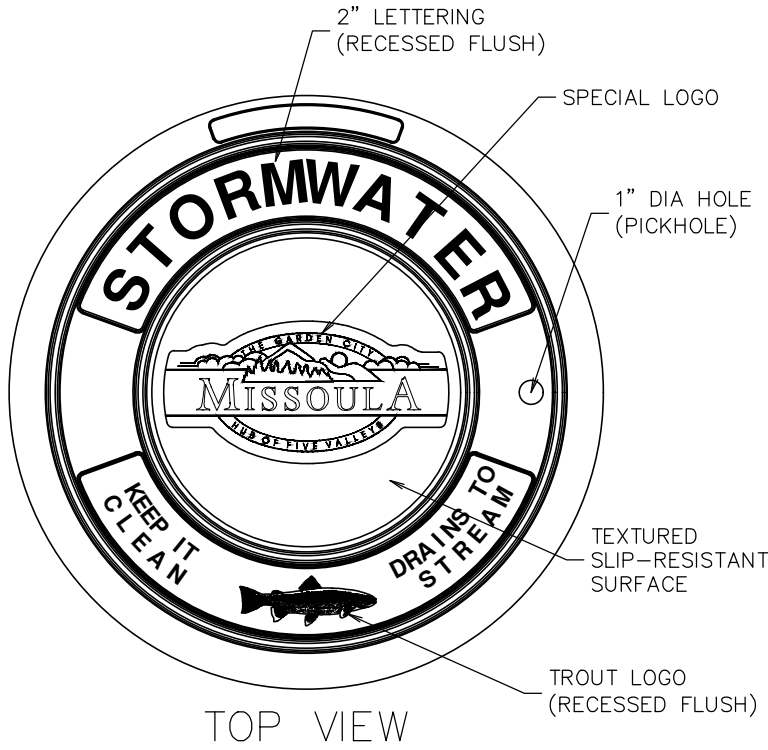


EJIW 3777-M / D&L A-1171
OR APPROVED EQUIVALENT



GENERAL NOTES:

1. FOR CITY-OWNED INFRASTRUCTURE ONLY. FOR PRIVATE STRUCTURES WITHIN THE RIGHT-OF-WAY PROVIDE A TEXTURED SLIP RESISTANT LID WITHOUT CITY LOGO - MUST HAVE "STORMWATER" ON LID.
2. DUE TO PROVISIONS IN THE INTERMODAL SURFACE TRANSPORTATION ACT, VENDORS MUST AUTHENTICATE U.S. ORIGIN OF CASTINGS FOR FEDERALLY FUNDED PROJECTS.
3. PROVIDE LIDS AND RINGS THAT MEET AASHTO 306 H20 LOADING RATING OR HIGHER.
4. COMPOSITE TAPERED GRADE RINGS SHALL BE USED TO MATCH FRAME & GRATE TO THE CURB LINE CROSS SLOPE AND RUNNING SLOPE OR STREET CROSS SLOPE AND RUNNING SLOPE WHERE NOT IN CONCRETE.
5. SEE STD-604A FOR STANDARD MANHOLE RING SPECIFICATIONS.
6. WHEN LOCATED WHERE MANHOLE MAY BECOME PRESSURIZED USE STD-605, "STORMWATER LOCKABLE LID AND FRAME".

December 2021



Engineering Division

Stormwater Solid Lid

AS

Approved By
Utility Engineer
Andy Schultz, PE

Adopted: 09/28/2020
Revised: 04/13/2021

STD - 604B