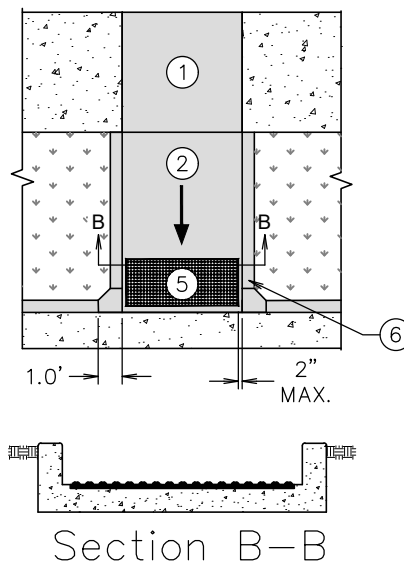
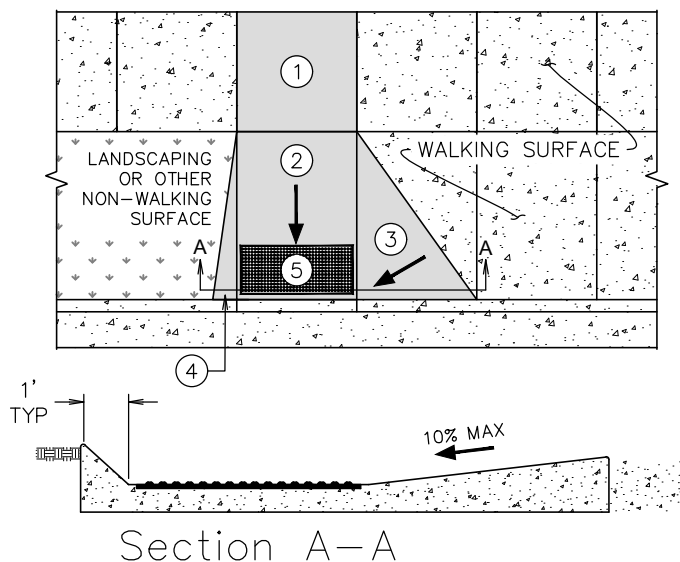
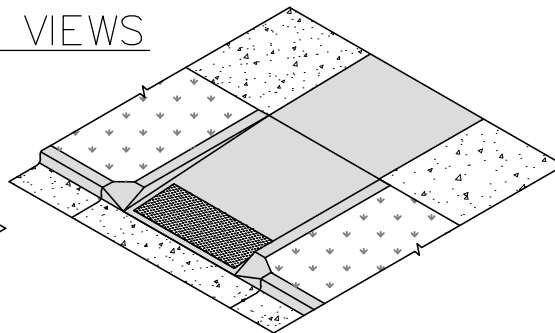
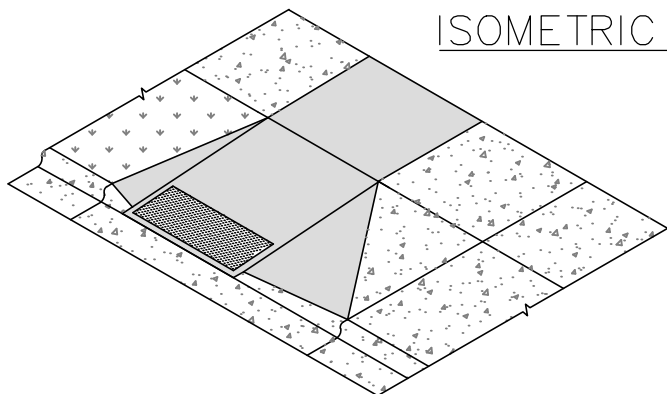


PERPENDICULAR CURB RAMP

ALTERNATE CONFIGURATION

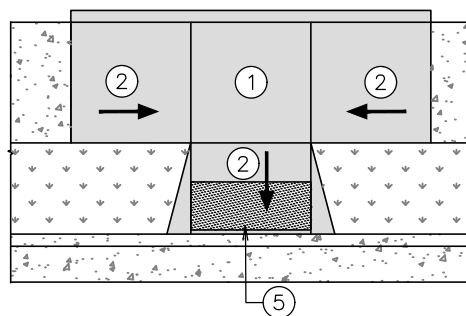
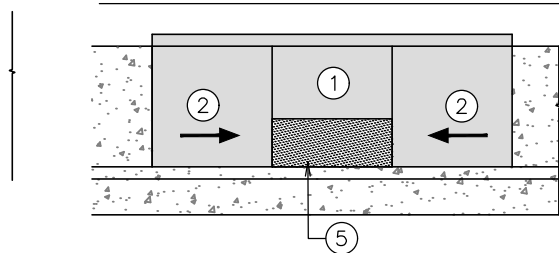


ISOMETRIC VIEWS



PARALLEL CURB RAMP

COMBINED PARALLEL/PERPENDICULAR CURB RAMP



KEYED NOTES:

- ① LANDING.
- ② RAMP.
- ③ RAMP FLARE.
- ④ 1' FLARED TRANSITION.
- ⑤ DETECTABLE WARNING SURFACE.
- ⑥ LANDSCAPE CURB.

GENERAL NOTES:

- 1. SEE MCPWSS FOR CURB RAMP TECHNICAL REQUIREMENTS.



Engineering Division

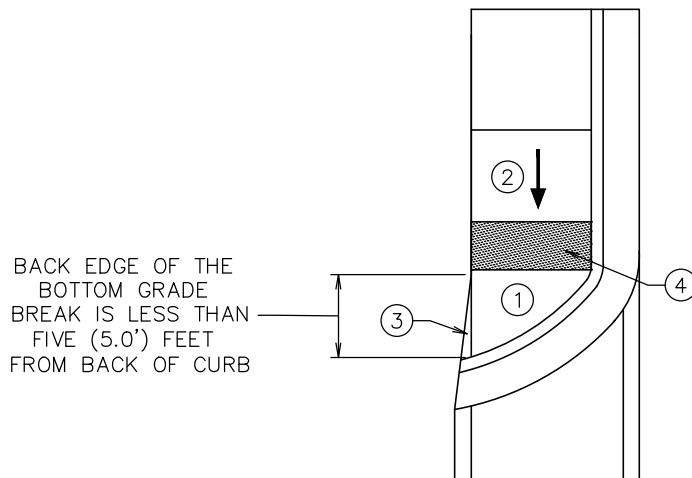
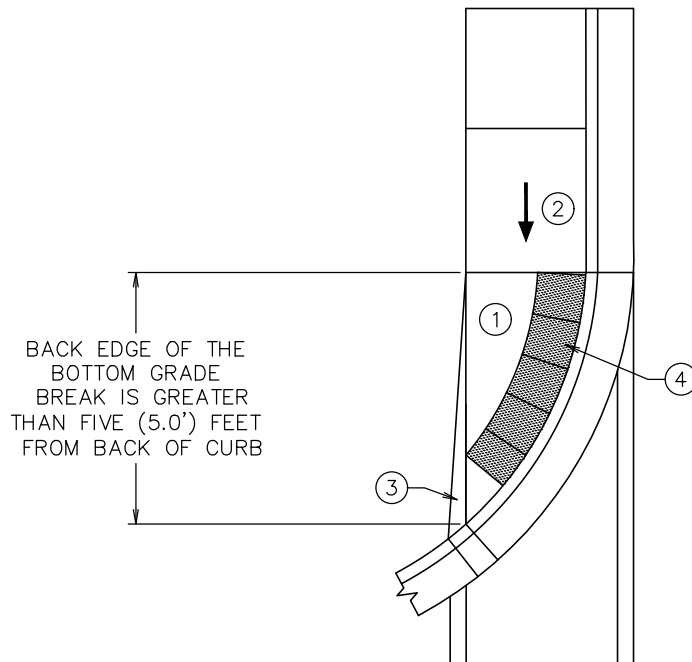
Curb Ramp Details (Sheet 1 of 4)

Approved By
City Engineer
Kevin J. Slovarp

Adopted: 01/30/1980
Revised: 01/01/2023

STD - 751-1

DETECTABLE WARNING SURFACE PLACEMENT



KEYED NOTES:

- ① LANDING.
- ② RAMP.
- ③ 1' FLARED TRANSITION.
- ④ DETECTABLE WARNING SURFACE.

GENERAL NOTES:

- 1. SEE MCPWSS FOR CURB RAMP TECHNICAL REQUIREMENTS.



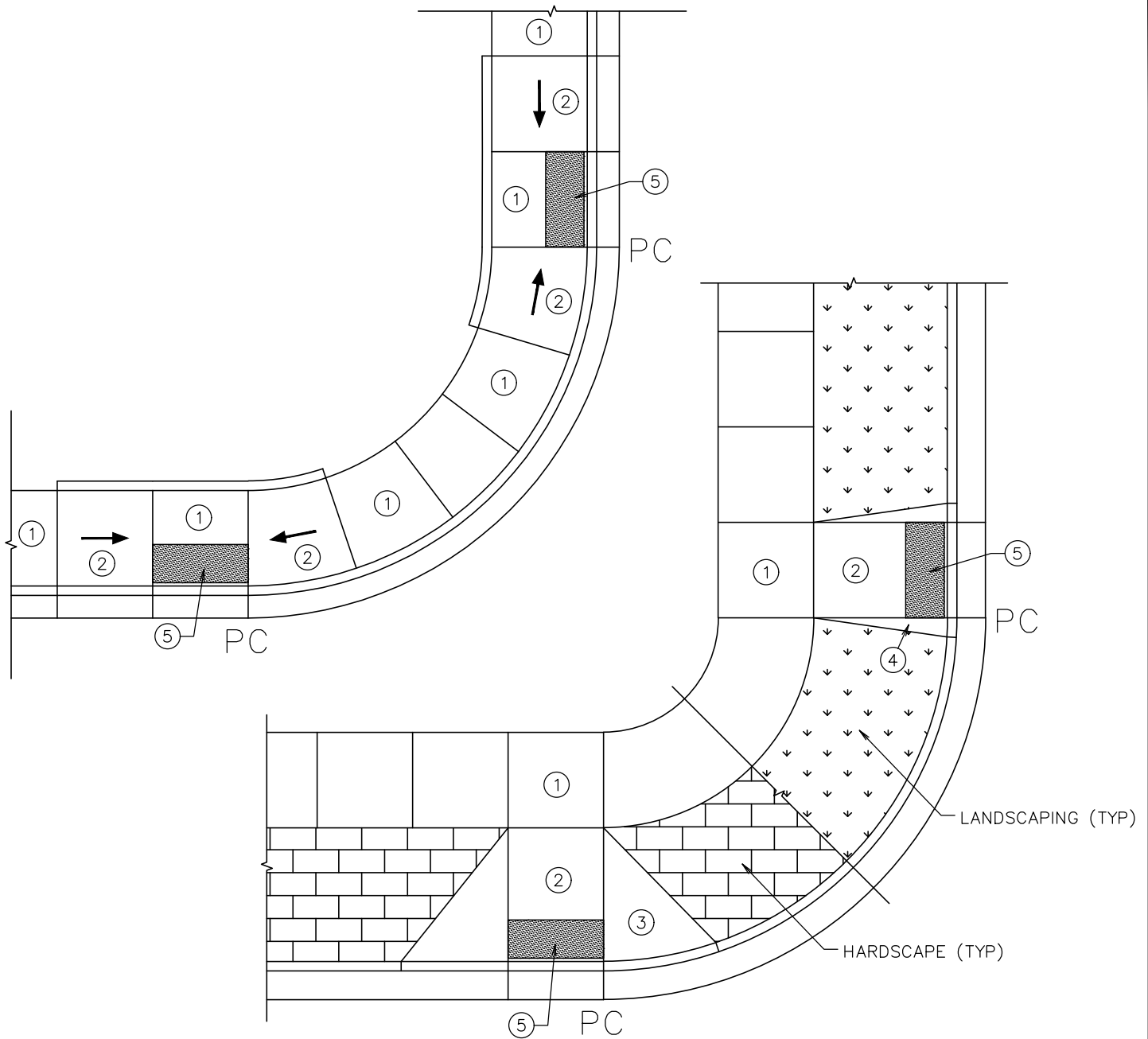
Engineering Division

Curb Ramp Details (Sheet 2 of 4)

Approved By
City Engineer
Kevin J. Slovarp

Adopted: 01/30/1980
Revised: 01/01/2023

STD - 751-2



KEYED NOTES:

- ①. LANDING.
- ②. RAMP.
- ③. FLARED SIDE.
- ④. 1' FLARED TRANSITION.
- ⑤. DETECTABLE WARNING SURFACE.

GENERAL NOTES:

- 1. SEE MCPWSS FOR CURB RAMP TECHNICAL REQUIREMENTS.



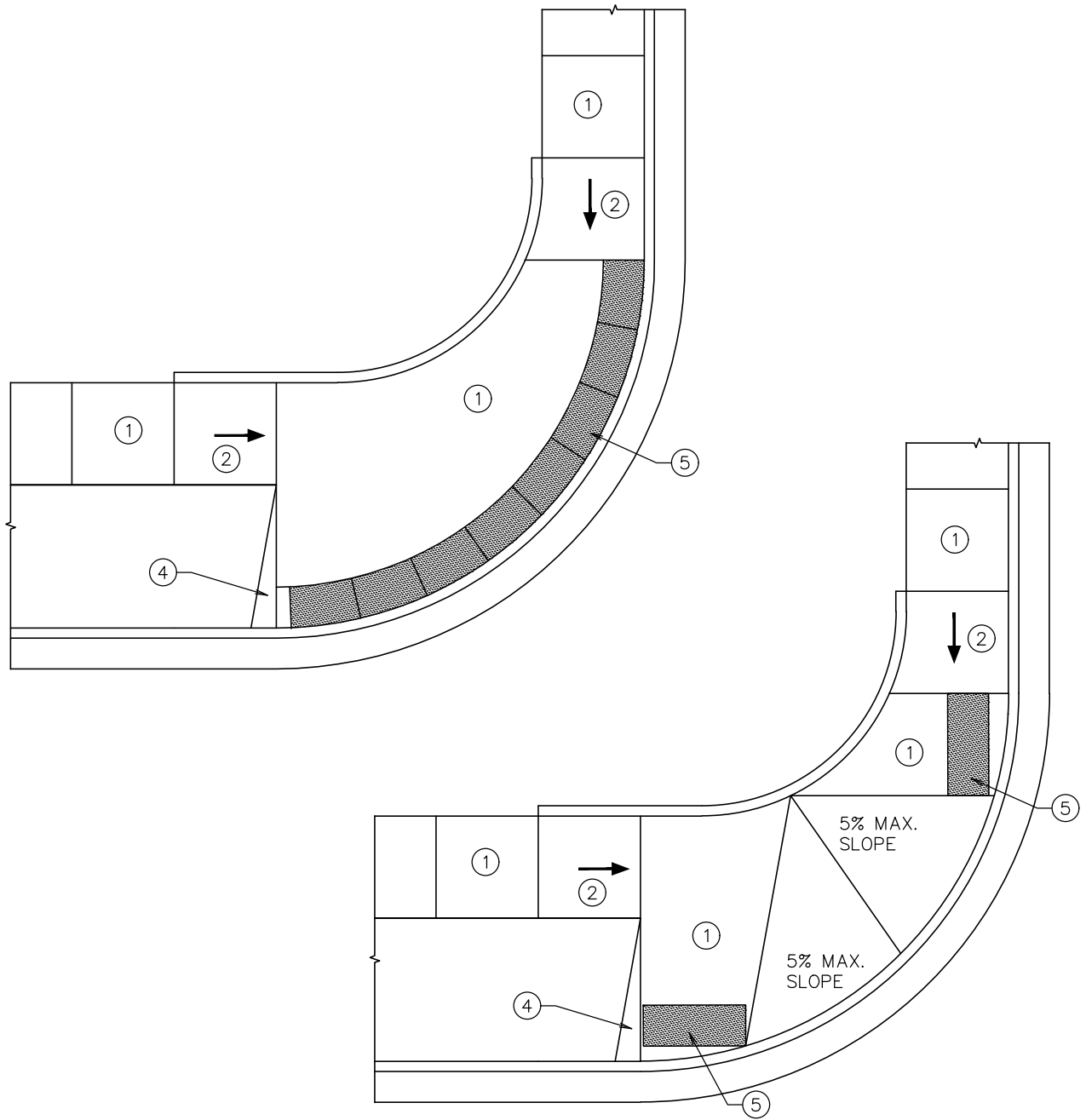
Engineering Division

Curb Ramp Details (Sheet 3 of 4)

Approved By
City Engineer
Kevin J. Slovarp

Adopted: 01/30/1980
Revised: 01/01/2023

STD - 751-3



KEYED NOTES:

- ① LANDING.
- ② RAMP.
- ③ FLARED SIDE.
- ④ 1' FLARED TRANSITION.
- ⑤ DETECTABLE WARNING SURFACE.

GENERAL NOTES:

- 1. SEE MCPWSS FOR CURB RAMP TECHNICAL REQUIREMENTS.



Engineering Division

Curb Ramp Details (Sheet 4 of 4)

Approved By
City Engineer
Kevin J. Slovarp

Adopted: 01/30/1980
Revised: 01/01/2023

STD - 751-4