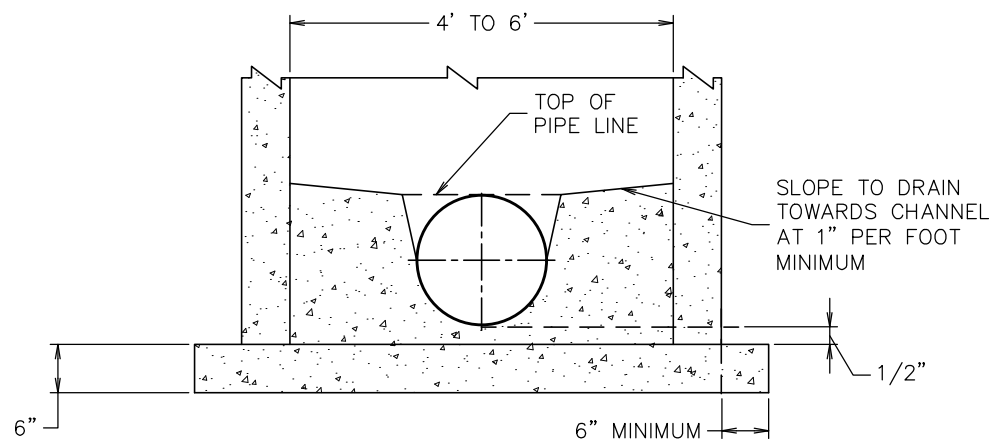


PLAN VIEW



SECTION VIEW

GENERAL NOTE:

1. CONSTRUCTION MATERIALS AND PROCEDURES SHALL COMPLY WITH MONTANA PUBLIC WORKS STANDARD SPECIFICATIONS (MPWSS), 7TH EDITION, APRIL 2021, AS MODIFIED BY THE MISSOULA CITY PUBLIC WORKS STANDARDS AND SPECIFICATIONS MANUAL, APPENDIX 2-A (STANDARD MODIFICATIONS TO MPWSS), CURRENT EDITION.



Sanitary Sewer Manhole - Precast Base (Sheet 3 of 3)

Approved By City
 \.ROM-SIGN.tif Engineer for Utilities
 Ross Mollenhauer, PE

Adopted: 09/28/2020
 Revised: 01/01/2023

STD - 512-3