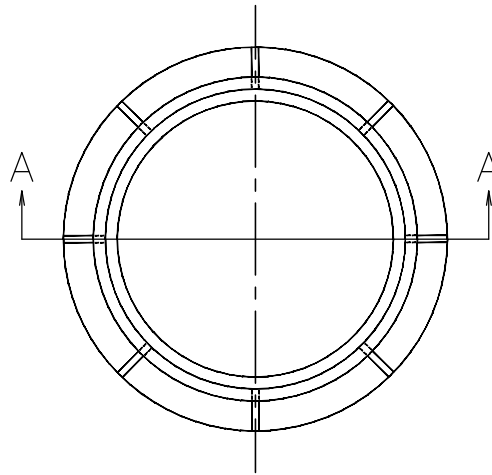


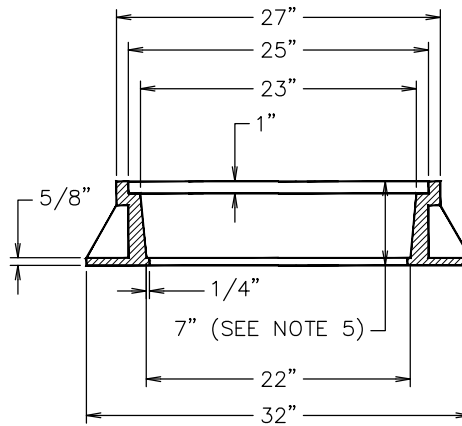
EJIW / 3777  
OR APPROVED EQUIVALENT

MANHOLE RING



TOP VIEW

USE ONLY APPROVED COVERS:  
STD-604B STORMWATER SOLID LID  
MANHOLE COVER  
STD-604C AREA DRAIN GRATE  
STD-604D ADA AREA DRAIN GRATE



SECTION A-A

GENERAL NOTES:

1. CONSTRUCTION MATERIALS AND PROCEDURES SHALL COMPLY WITH MONTANA PUBLIC WORKS STANDARD SPECIFICATIONS (MPWSS), 7TH EDITION, APRIL 2021, AS MODIFIED BY THE MISSOULA CITY PUBLIC WORKS STANDARDS AND SPECIFICATIONS MANUAL, APPENDIX 2-A (STANDARD MODIFICATIONS TO MPWSS), CURRENT EDITION.
2. DUE TO PROVISIONS IN THE INTERMODAL SURFACE TRANSPORTATION ACT, VENDORS MUST AUTHENTICATE U.S. ORIGIN OF CASTINGS FOR FEDERALLY FUNDED PROJECTS.
3. PROVIDE LIDS AND RINGS THAT MEET AASHTO 306 H20 LOADING RATING OR HIGHER.
4. COMPOSITE TAPERED GRADE RINGS SHALL BE USED TO MATCH FRAME & GRATE TO THE CURB LINE CROSS SLOPE AND RUNNING SLOPE OR STREET CROSS SLOPE AND RUNNING SLOPE WHERE NOT IN CONCRETE.
5. 4-INCH MANHOLE RING MAY BE USED IN LIEU OF A 7" RING ONLY WITH PRIOR APPROVAL FROM CITY ENGINEERING.



Engineering Division

Stormwater Ring

Approved By  
Utility Engineer  
Andy Schultz, PE

Adopted: 09/28/2021  
Revised: 01/01/2023

**STD - 604A**