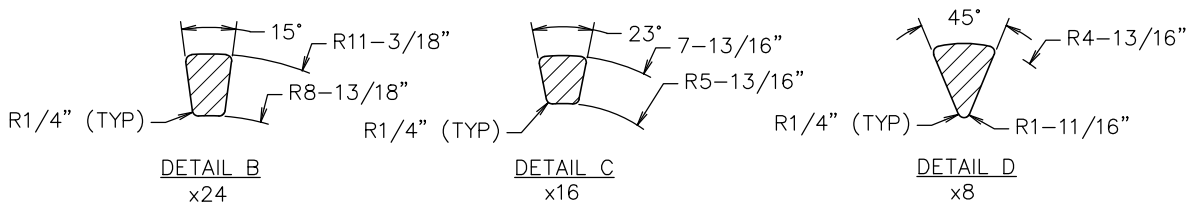
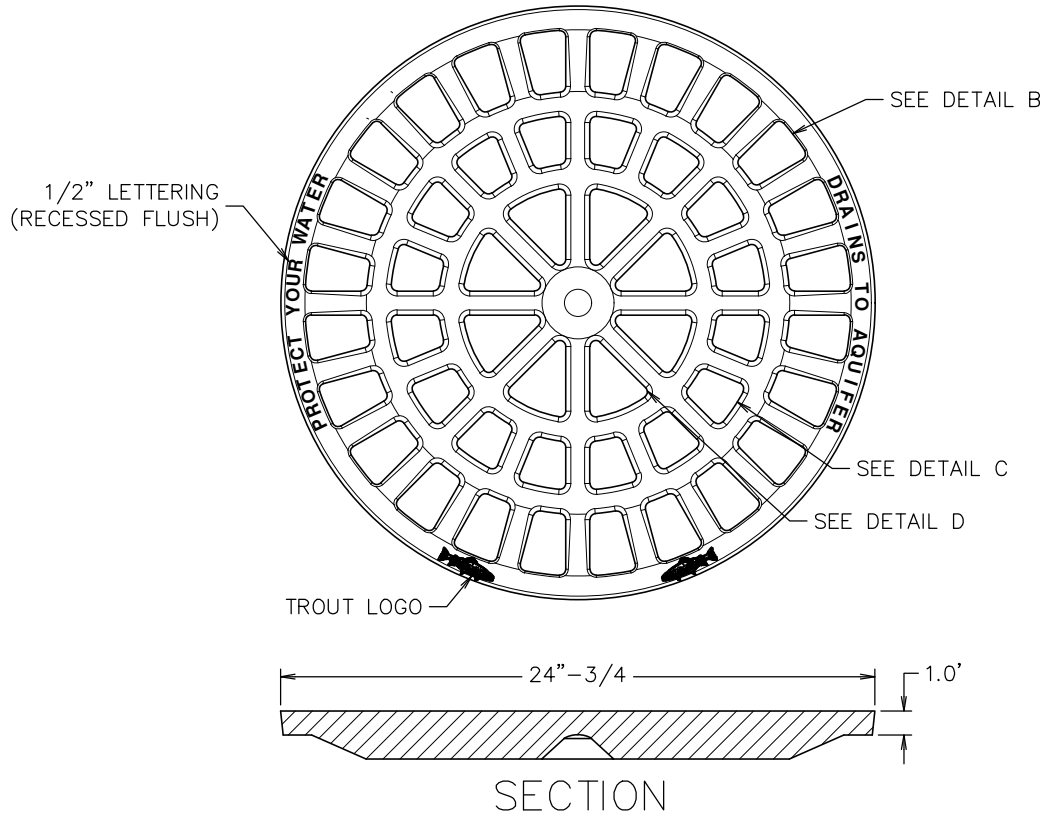


D&L C-1171-03
OR APPROVED EQUIVALENT



GENERAL NOTES:

1. CONSTRUCTION MATERIALS AND PROCEDURES SHALL COMPLY WITH MONTANA PUBLIC WORKS STANDARD SPECIFICATIONS (MPWSS), 7TH EDITION, APRIL 2021, AS MODIFIED BY THE MISSOULA CITY PUBLIC WORKS STANDARDS AND SPECIFICATIONS MANUAL, APPENDIX 2-A (STANDARD MODIFICATIONS TO MPWSS), CURRENT EDITION.
2. DUE TO PROVISIONS IN THE INTERMODAL SURFACE TRANSPORTATION ACT, VENDORS MUST AUTHENTICATE U.S. ORIGIN OF CASTINGS FOR FEDERALLY FUNDED PROJECTS.
3. PROVIDE LIDS AND RINGS THAT MEET AASHTO 306 H2O LOADING RATING OR HICOMPOSITE TAPERED GRADE RINGS SHALL BE USED TO MATCH FRAME & GRATE TO THE CURB LINE CROSS SLOPE AND RUNNING SLOPE OR STREET CROSS SLOPE AND RUNNING SLOPE WHERE NOT IN CONCRETE.
4. SEE STD-604A FOR STANDARD MANHOLE RING SPECIFICATIONS.



Engineering Division

Area Drain Grate

Approved By
Utility Engineer
Andy Schultz, PE

Adopted: 09/28/2020
Revised: 01/01/2023

STD - 604C