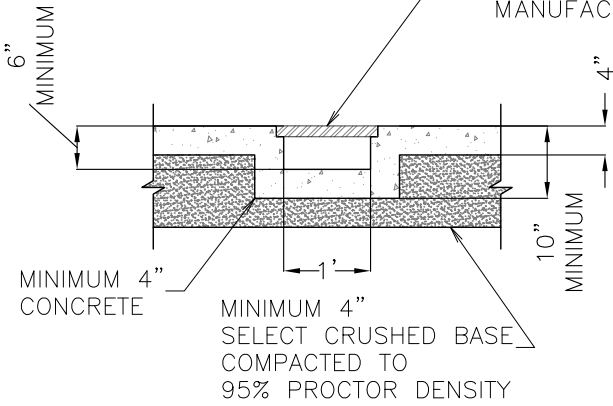


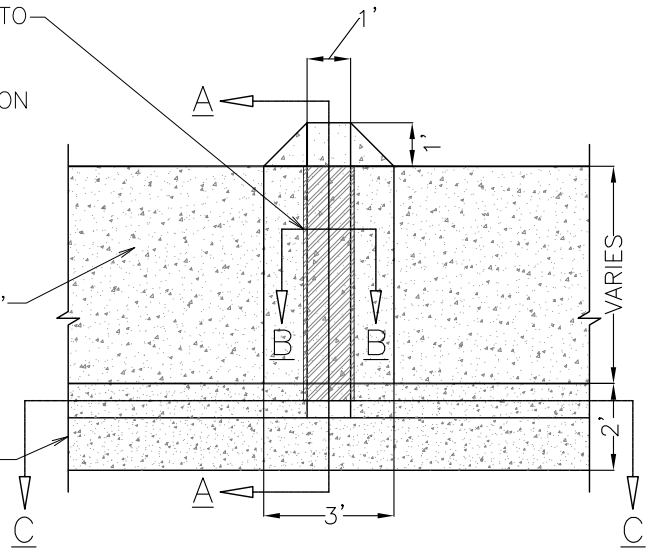
NEENAH FOUNDRY
R-4999-DX TYPE D COVER OR
APPROVED EQUIVALENT
COVER SHALL BE FASTENED TO
CONCRETE AND / OR
COVER FRAME AS PER
MANUFACTURERS SPECIFICATION



SECTION B-B

TYPICAL SIDEWALK,
SEE STD-752

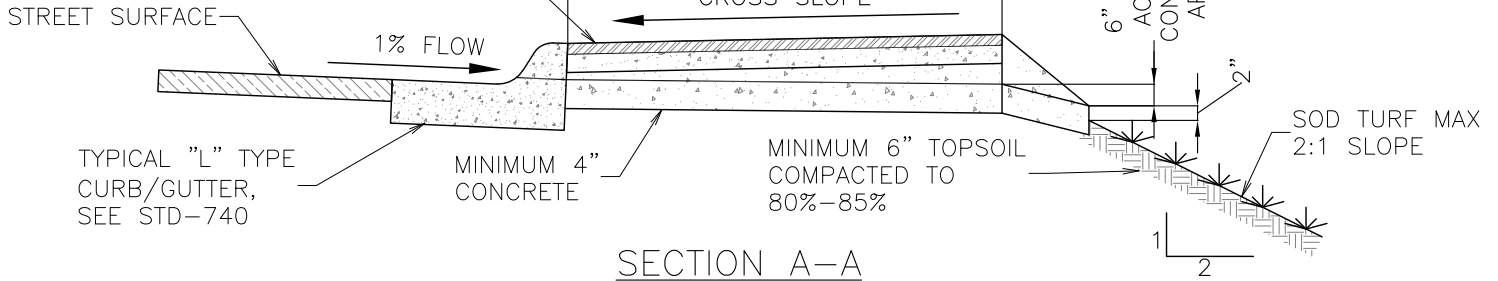
TYPICAL "L" TYPE
CURB/GUTTER,
SEE STD-740



PLAN VIEW

NEENAH FOUNDRY
R-4999-DX TYPE D COVER OR
APPROVED EQUIVALENT
COVER SHALL BE FASTENED TO
CONCRETE AND / OR
COVER FRAME AS PER
MANUFACTURERS SPECIFICATION

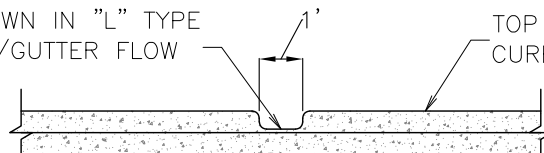
TYPICAL SIDEWALK SECTION
STD-752
WIDTH VARIES
SET GRATE TO
MATCH SIDEWALK
CROSS SLOPE



SECTION A-A

LAYDOWN IN "L" TYPE
CURB/GUTTER FLOW
LINE

TOP "L" TYPE
CURB/GUTTER



SECTION C-C

BOTTOM "L" TYPE
CURB/GUTTER

GENERAL NOTES:

1. CONSTRUCTION MATERIALS AND PROCEDURES SHALL COMPLY WITH MONTANA PUBLIC WORKS STANDARD SPECIFICATIONS (MPWSS), 7TH EDITION, APRIL 2021, AS MODIFIED BY THE MISSOULA CITY PUBLIC WORKS STANDARDS AND SPECIFICATIONS MANUAL, APPENDIX 2-A (STANDARD MODIFICATIONS TO MPWSS), CURRENT EDITION.
2. SUBSTITUTION OF 'EQUIVALENT' MATERIALS / PRODUCTS SHALL BE SUBMITTED TO AND APPROVED BY CITY ENGINEER PRIOR TO COMMENCEMENT OF WORK
3. ALL MATERIALS / PRODUCTS SHALL BE PLACED / INSTALLED AS PER MANUFACTURER SPECIFICATIONS FOR WARRANTY INSTALLATION
4. POUR ENTIRE CURB OPENING SECTION AND SPILLWAY MONOLITHICALLY



Engineering Division

Curb Opening Through Sidewalk Section to Landscape

Approved By
Utility Engineer
Andy Schultz, PE

Revised: 01/01/2023

STD - 608