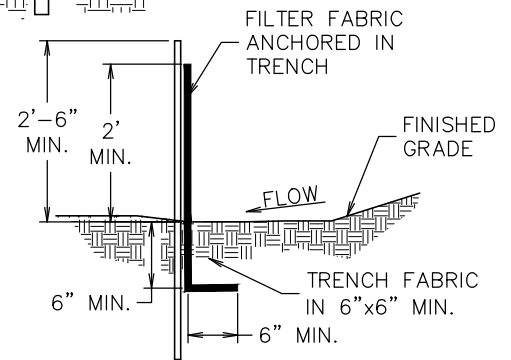


**NOTES:**

1. TURN SILT FENCE UP HILL AT ENDS
2. USE SILT FENCE ONLY WHEN DRAINAGE AREA DOES NOT EXCEED 1/4 ACRE AND NEVER IN AREAS OF CONCENTRATED FLOW

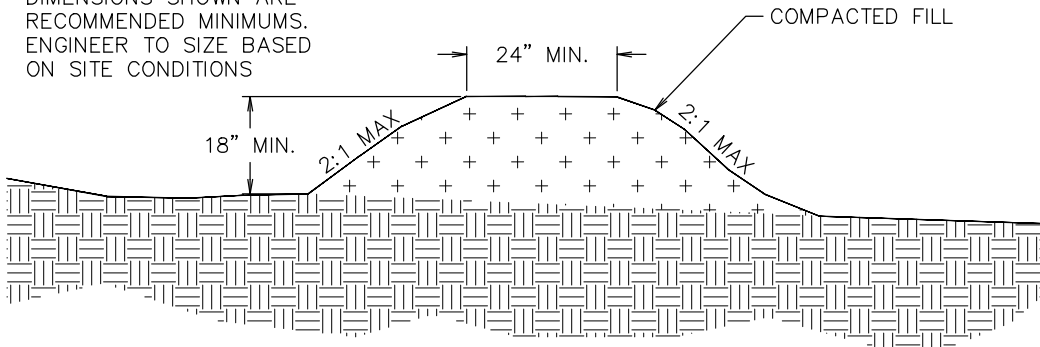
SILT FENCE



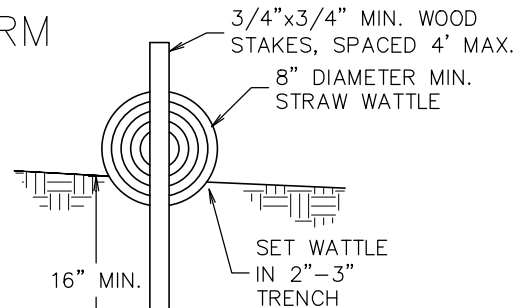
DETAIL

**NOTES:**

1. DIMENSIONS SHOWN ARE RECOMMENDED MINIMUMS. ENGINEER TO SIZE BASED ON SITE CONDITIONS



COMPACTED EARTHEN BERM



STRAW WATTLE

**NOTES:**

1. USE BIODEGRADABLE WRAP ON STRAW WATTLES IF THEY ARE TO BE LEFT IN PLACE.

**GENERAL NOTES:**

1. PRESERVING EXISTING VEGETATION SHALL BE USED AS THE PRIMARY PERIMETER CONTROL.
2. PERIMETER CONTROL BMPs SHALL BE INSTALLED BEFORE ANY EARTH REMOVAL OR EXCAVATION TAKES PLACE.
3. INSTALL PERIMETER CONTROL BMPs PARALLEL TO CONTOUR LINES.
4. FOLLOW MANUFACTURER'S INSTRUCTIONS TO OVERLAP THE SILT FENCE AND WATTLES AT JUNCTIONS.
5. ALL TEMPORARY BMP'S TO BE REMOVED AT FINAL STABILIZATION.



Engineering Division

Perimeter Control

Approved By  
Utility Engineer  
Andy Schultz, PE

Revised: 09/28/2020

STD - 652