

EJIW / IFCO 3777-M
OR APPROVED EQUIVALENT



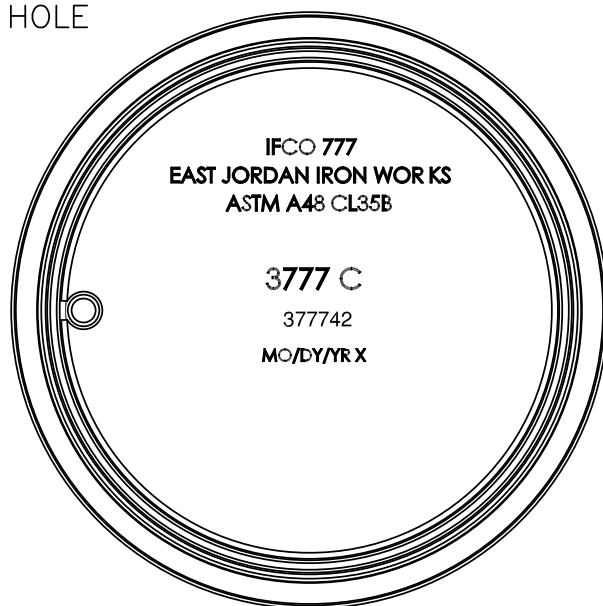
TOP VIEW

2" (51mm) LETTERING
(RECESSED FLUSH)

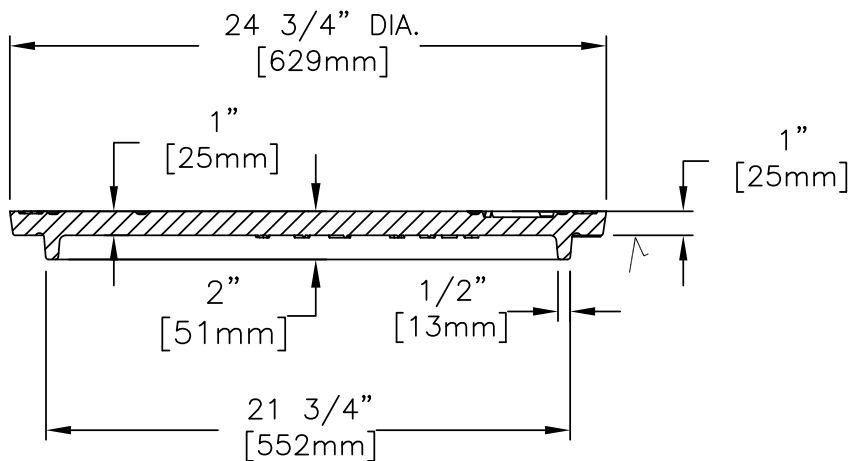
SPECIAL LOGO

1" DIA (25mm) HOLE
(PICKHOLE)

TROUT LOGO
(RECESSED FLUSH)



BOTTOM VIEW



SECTION

√ MACHINED SURFACE

SEE STD-300D FOR STANDARD
MANHOLE RING SPECIFICATIONS

Digital Standard Drawings and other maps are available on the City website: http://www.ci.missoula.mt.us/publicworks/gis_maps.htm



Storm Sewer Manhole Cover

Kevin J. Slovarp

Approved By
City Engineer
Kevin J. Slovarp

Adopted: 01/31/2006
Revised: 01/08/2007

STD - 300B