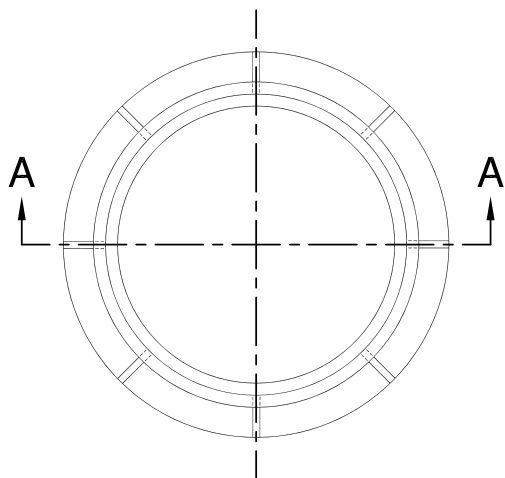
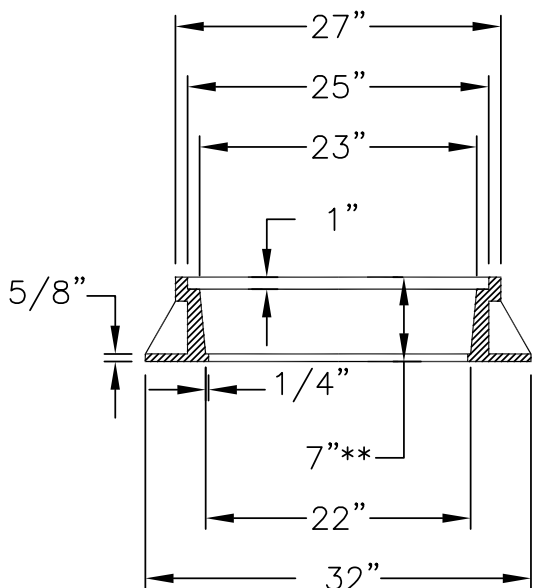


EJIW / IFCO NO. 3777
OR APPROVED EQUIVALENT

MANHOLE RING



TOP VIEW

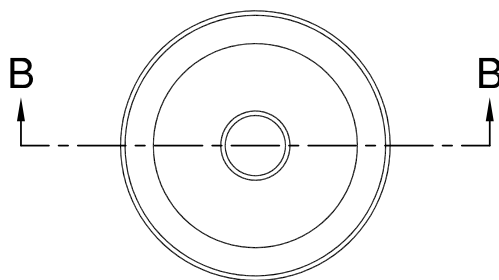


SECTION A-A

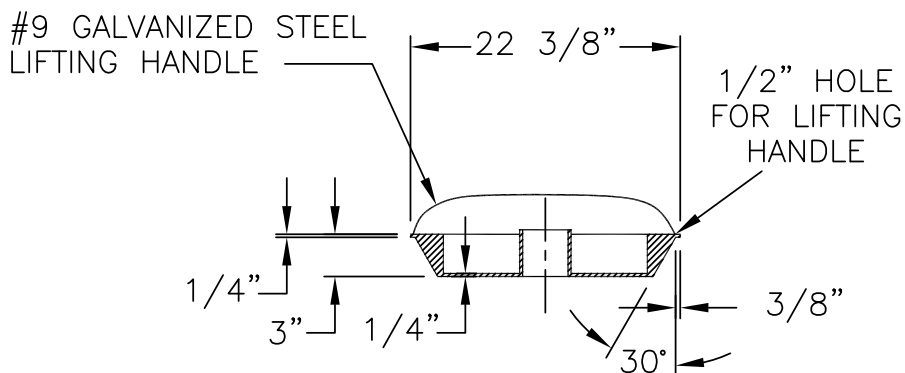
MANHOLE RING - MINIMUM 180lb.

** 4" MANHOLE RING MAY BE USED ONLY WITH PRIOR CITY ENGINEER APPROVAL

DUSTPAN



TOP VIEW



SECTION B-B

DUSTPAN - GRAY IRON

USE ONLY APPROVED COVERS:
STD-300A SANITARY SEWER
STD-300B STORM SEWER
STD-300C DRY WELL / SUMP

Digital Standard Drawings and other maps are available on the City website: http://www.ci.missoula.mt.us/publicworks/gis_maps.htm



Standard Manhole Ring and Dustpan
(Replaces STD-319)

Approved By
City Engineer
Kevin J. Slovark

Adopted: 11/1997
Revised: 01/08/2007

STD -300D