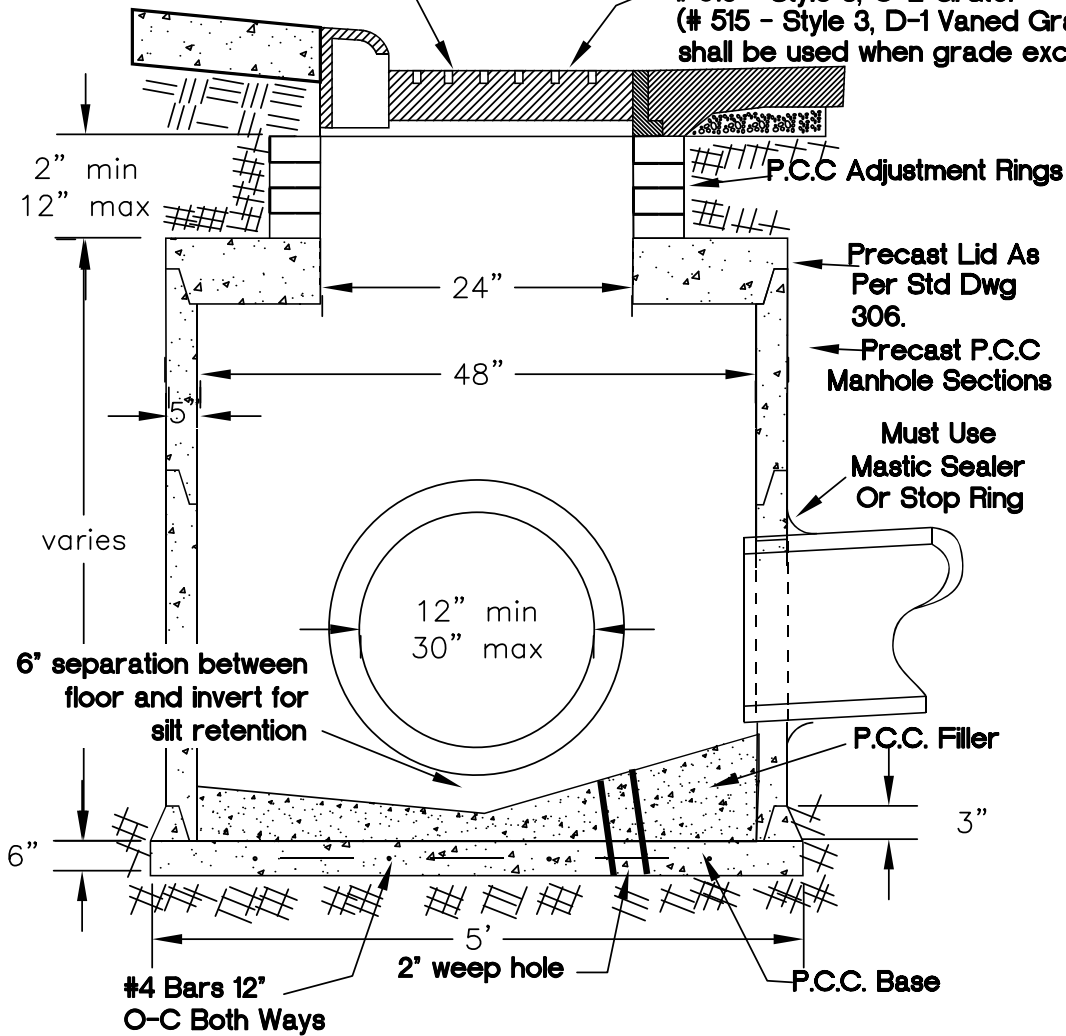


Elevation To Be Set By The Engineer

Inlet shall be tilted uphill  
when grades exceed 5%

Casting shall be IFCO (or approved equal)  
# 515 - Style 3, C-2 Grate.  
(# 515 - Style 3, D-1 Vaned Grate  
shall be used when grade exceeds 5%)



Digital Standard Drawings and other maps are available on the City website: [http://www.ci.missoula.mt.us/publicworks/gis\\_maps.htm](http://www.ci.missoula.mt.us/publicworks/gis_maps.htm)

Standard Curb Intake

Approved By City Engineer

*R. Steven King*  
R. Steven King

Adopted: 04/09/1973

Revised: 03/30/2005

STD - 602

