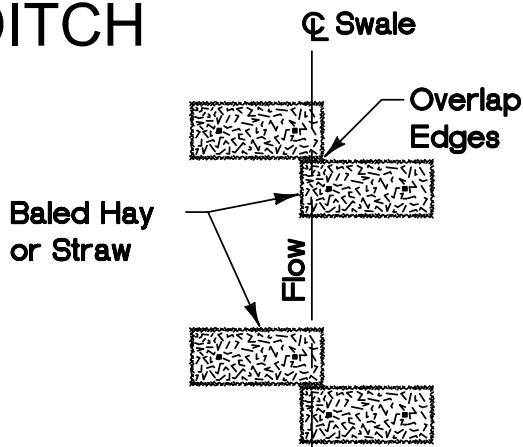


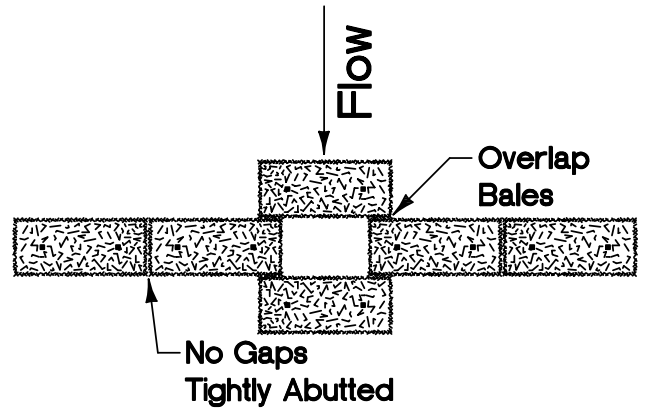
NARROW DITCH

WIDE DITCH

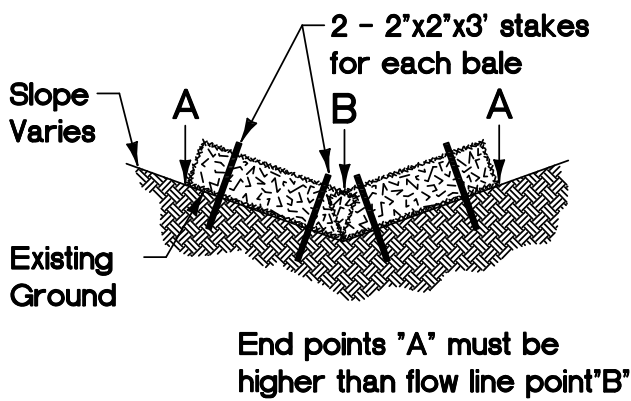


Proper placement of straw bale barrier in small swale

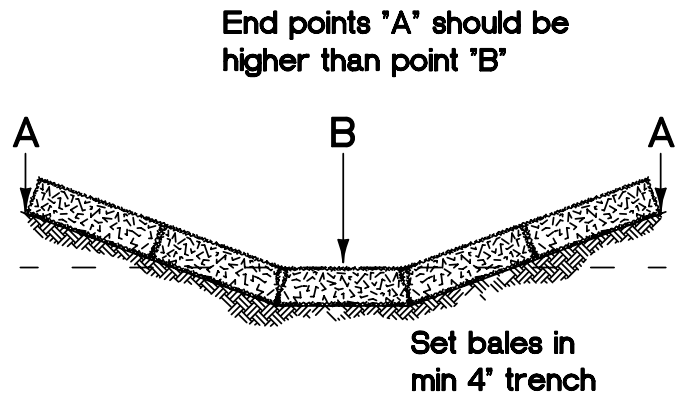
PLAN



PLAN

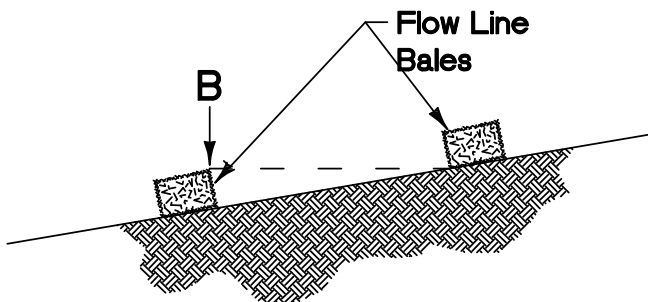


ELEVATION



Proper placement of straw bale barrier in drainage way

ELEVATION



Place downstream bales such that point "B" is approximately level with the lowest elevation of the upstream bale

PROFILE

Digital Standard Drawings and other maps are available on the City website: http://www.ci.missoula.mt.us/publicworks/gis_maps.htm



Straw Bale Check Dams

Approved By City Engineer

R. Steven King
R. Steven King

Adopted: 01/01/2005

Revised:

STD - 608