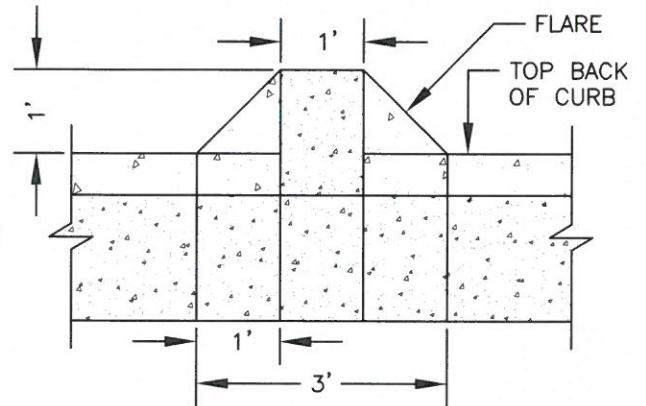
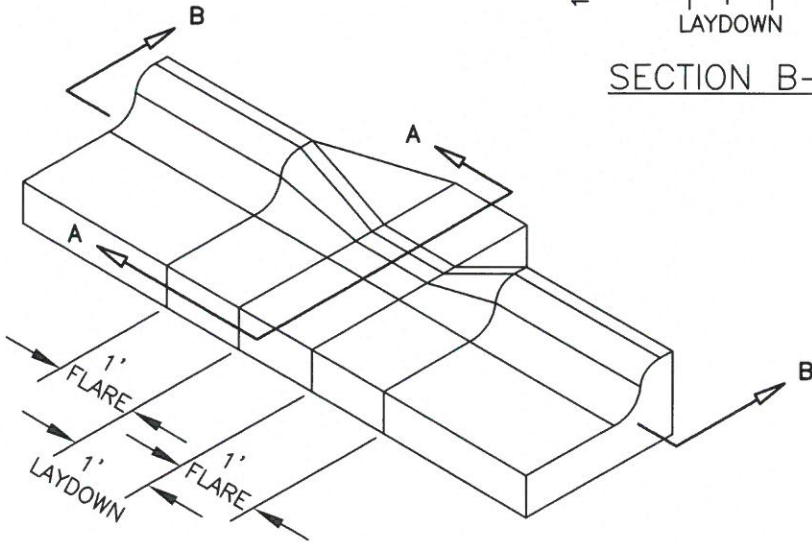
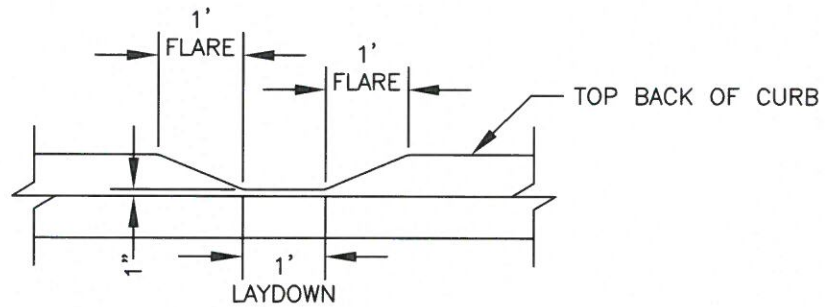
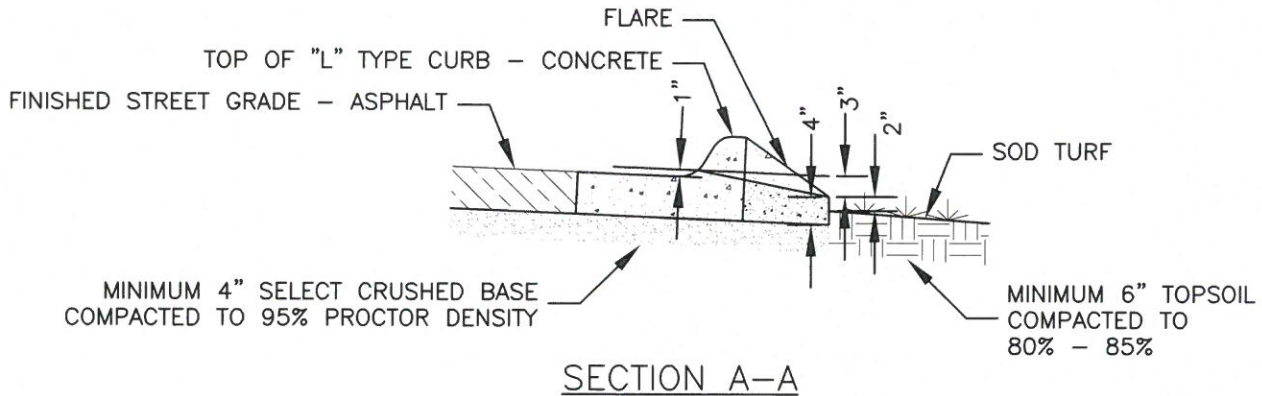


# STORMWATER MANAGEMENT CURB OPENING INTO BOULEVARD



1. POUR ENTIRE CURB OPENING SECTION AND SPILLWAY MONOLITHICALLY
2. SEE STANDARD DRAWING STD-121 'TYPICAL "L" TYPE CURB/GUTTER SECTION' FOR CURB/GUTTER SPECIFICATIONS



Engineering Division

## Stormwater Management Curb Opening Into Boulevard

*Kevin J. Slovarp*

Approved By  
City Engineer  
Kevin J. Slovarp

Adopted: 10/25/2013  
Revised: 06/28/2017

**STD - 625**