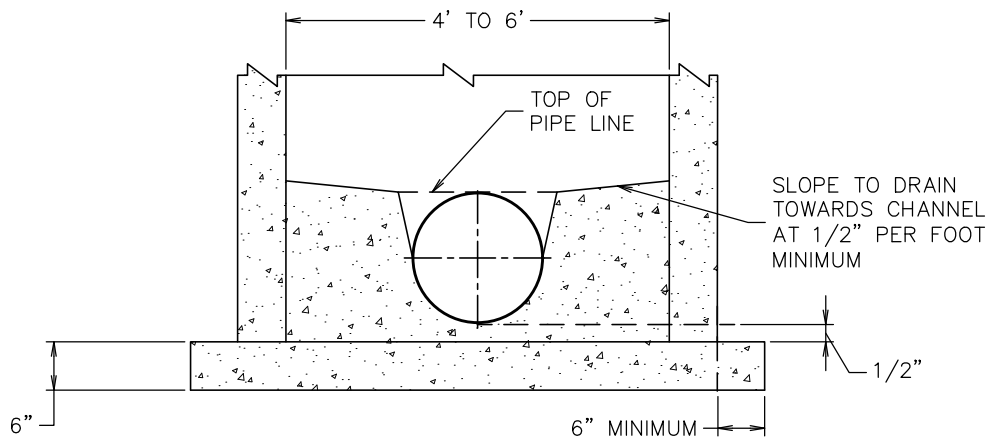


PLAN VIEW



SECTION VIEW



Engineering Division

Sanitary Sewer Manhole - Precast Base (Sheet 3 of 3)

Ross Mollenhauer

Approved By City
Engineer for Utilities
Ross Mollenhauer, PE

Adopted: 09/28/2020
Revised: 03/25/2021

STD - 512-3