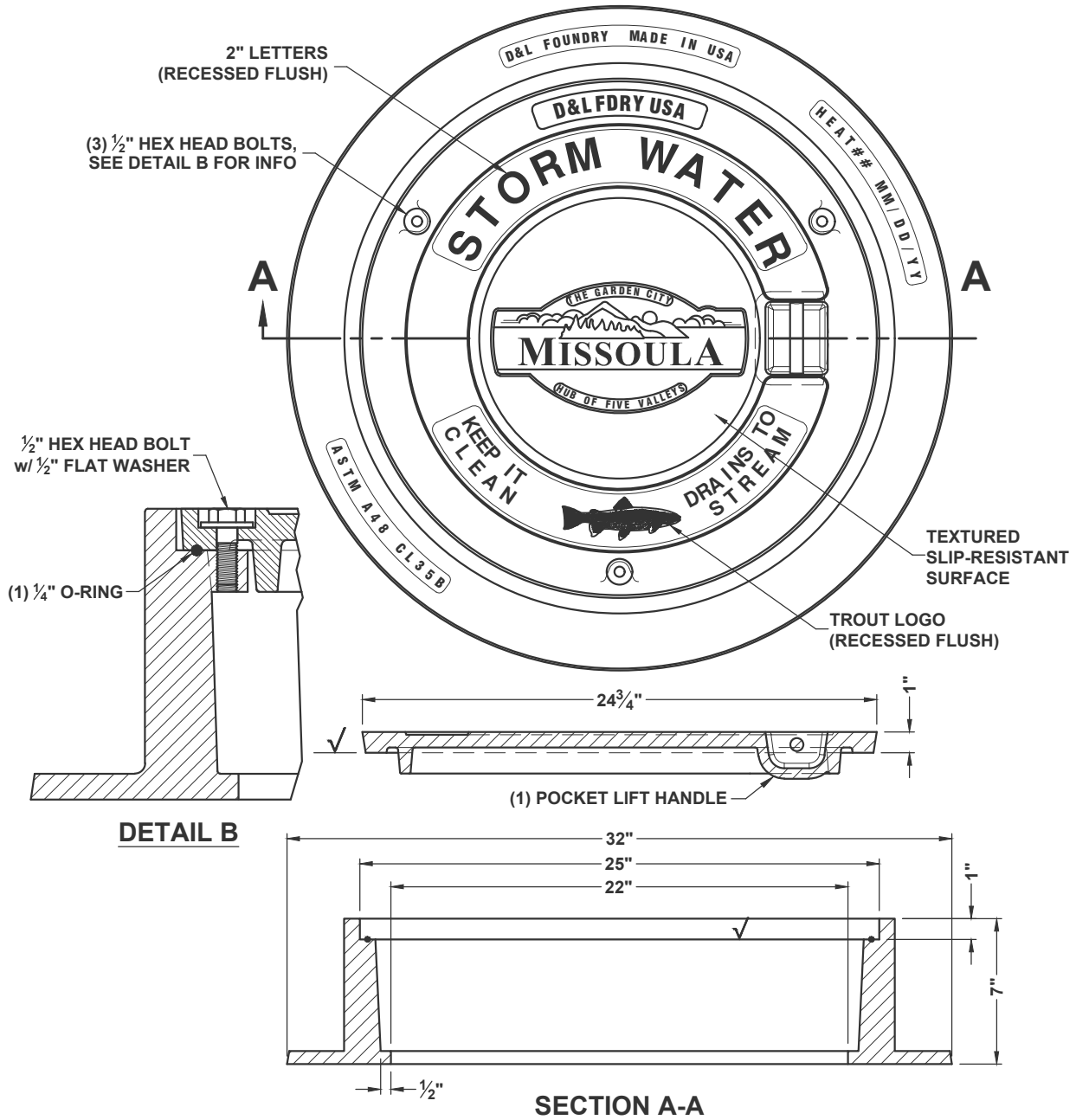


# D&L A-1171 LOCKABLE OR APPROVED EQUIVALENT



**GENERAL NOTES:**

1. FOR USE WHEN THE MANHOLE CAN BE PRESSURIZED.
2. FOR CITY-OWNED INFRASTRUCTURE ONLY. FOR PRIVATE STRUCTURES WITHIN THE RIGHT-OF-WAY PROVIDE A TEXTURED SLIP RESISTANT LID WITHOUT CITY LOGO – MUST HAVE "STORM WATER" ON LID.
3. PROVIDE LIDS AND RINGS THAT MEET AASHTO 306 HS20 LOADING RATING OR HIGHER.
4. COMPOSITE TAPERED GRADE RINGS SHALL BE USED TO MATCH FRAME & GRATE TO THE CURB LINE CROSS SLOPE AND RUNNING SLOPE OR STREET CROSS SLOPE AND RUNNING SLOPE WHERE NOT IN CONCRETE.
5. 4-INCH MANHOLE RING MAY BE USED IN LIEU OF A 7" RING ONLY WITH PRIOR APPROVAL FROM CITY ENGINEERING.

<b>PRODUCT NUMBER:</b>	<b>MATERIAL TYPE:</b>
COVER: <b>A-1171</b>	GRAY IRON: ASTM A-48 CL 35B
RING: <b>A-1171-R1</b>	GRAY IRON: ASTM A-48 CL 35B



Engineering Division

## Storm Water Lockable Lid and Frame

Approved By  
Utility Engineer  
Andy Schultz, PE

Adopted: 09/28/2020  
Revised: 04/13/2021

# STD - 605