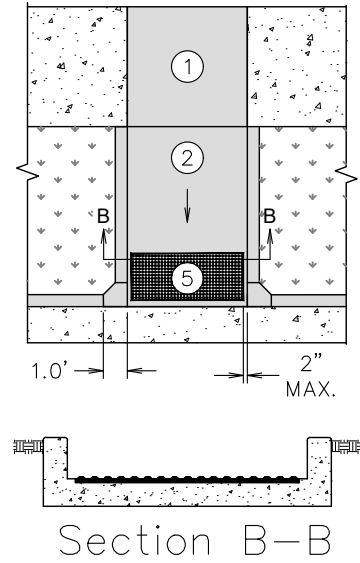
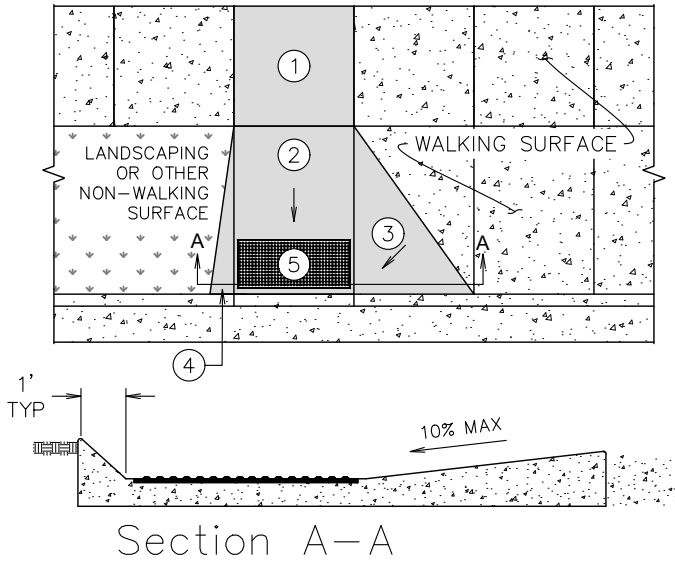
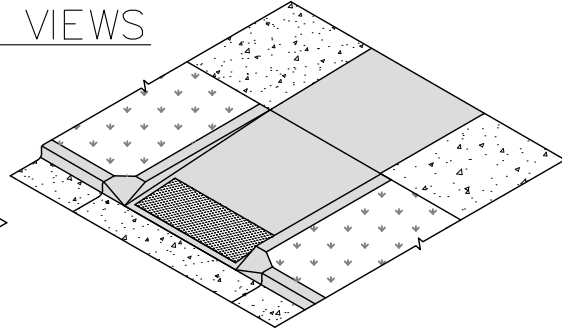
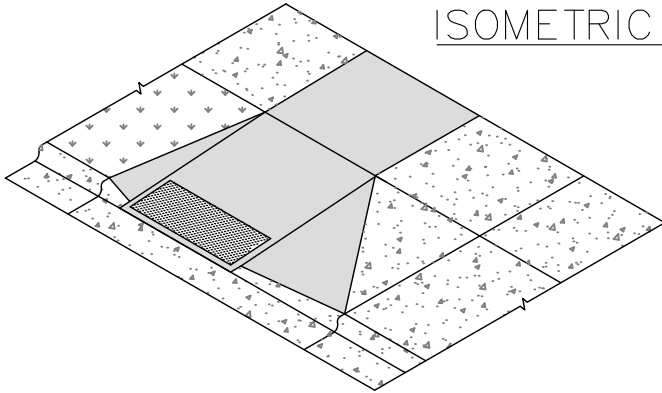


# PERPENDICULAR CURB RAMP

# ALTERNATE CONFIGURATION

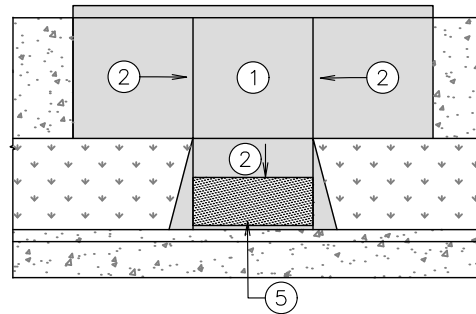
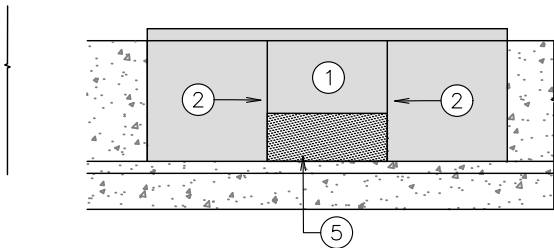


## ISOMETRIC VIEWS



# PARALLEL CURB RAMP

# COMBINED PARALLEL/PERPENDICULAR CURB RAMP



## KEYED NOTES:

- (1) LANDING. 5' X 5' PREFERRED DIMENSION, 4' X 4' MINIMUM. MAXIMUM SLOPE IS 2% IN ANY DIRECTION.
- (2) RAMP. 8.3% MAXIMUM RUNNING SLOPE. 2% MAXIMUM CROSS-SLOPE.
- (3) FLARED SIDE. 10% MAXIMUM SLOPE.
- (4) 1' FLARED TRANSITION FROM CURB LAY-DOWN TO TOP OF CURB.
- (5) DETECTABLE WARNING PANELS PER STD-750.
- (6) CONCRETE SIDEWALK SECTIONS, BASE, AND SUB GRADE PER STD-752.



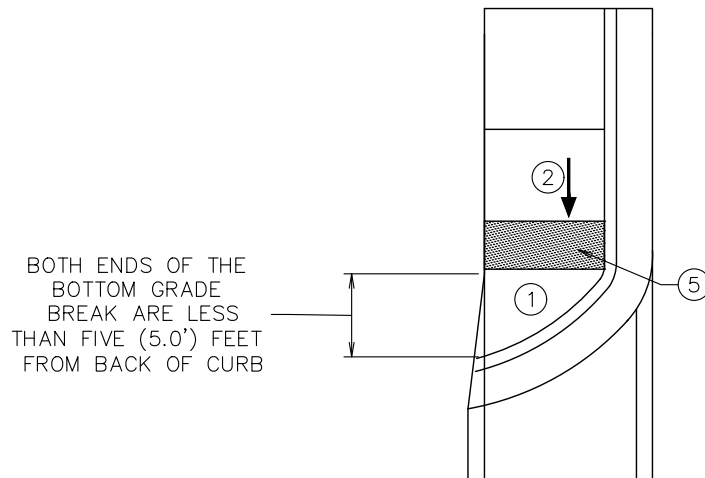
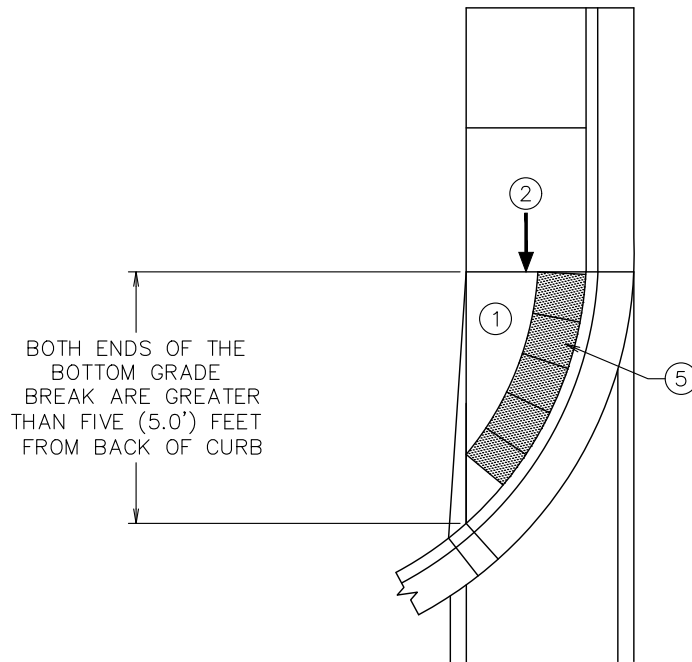
Engineering Division

## Curb Ramp Details (Sheet 1 of 4)

Approved By  
City Engineer  
Kevin J. Slovarp

Adopted: 01/30/1980  
Revised: 08/23/2021

**STD - 751-1**



### KEYED NOTES:

- ①. LANDING. 5' X 5' PREFERRED DIMENSION, 4' X 4' MINIMUM. MAXIMUM SLOPE IS 2% IN ANY DIRECTION.
- ②. RAMP. 8.3% MAXIMUM RUNNING SLOPE. 2% MAXIMUM CROSS-SLOPE.
- ③. FLARED SIDE. 10% MAXIMUM SLOPE.
- ④. 1' FLARED TRANSITION FROM CURB LAY-DOWN TO TOP OF CURB.
- ⑤. DETECTABLE WARNING PANELS PER STD-750.
- ⑥. CONCRETE SIDEWALK SECTIONS, BASE, AND SUB GRADE PER STD-752.



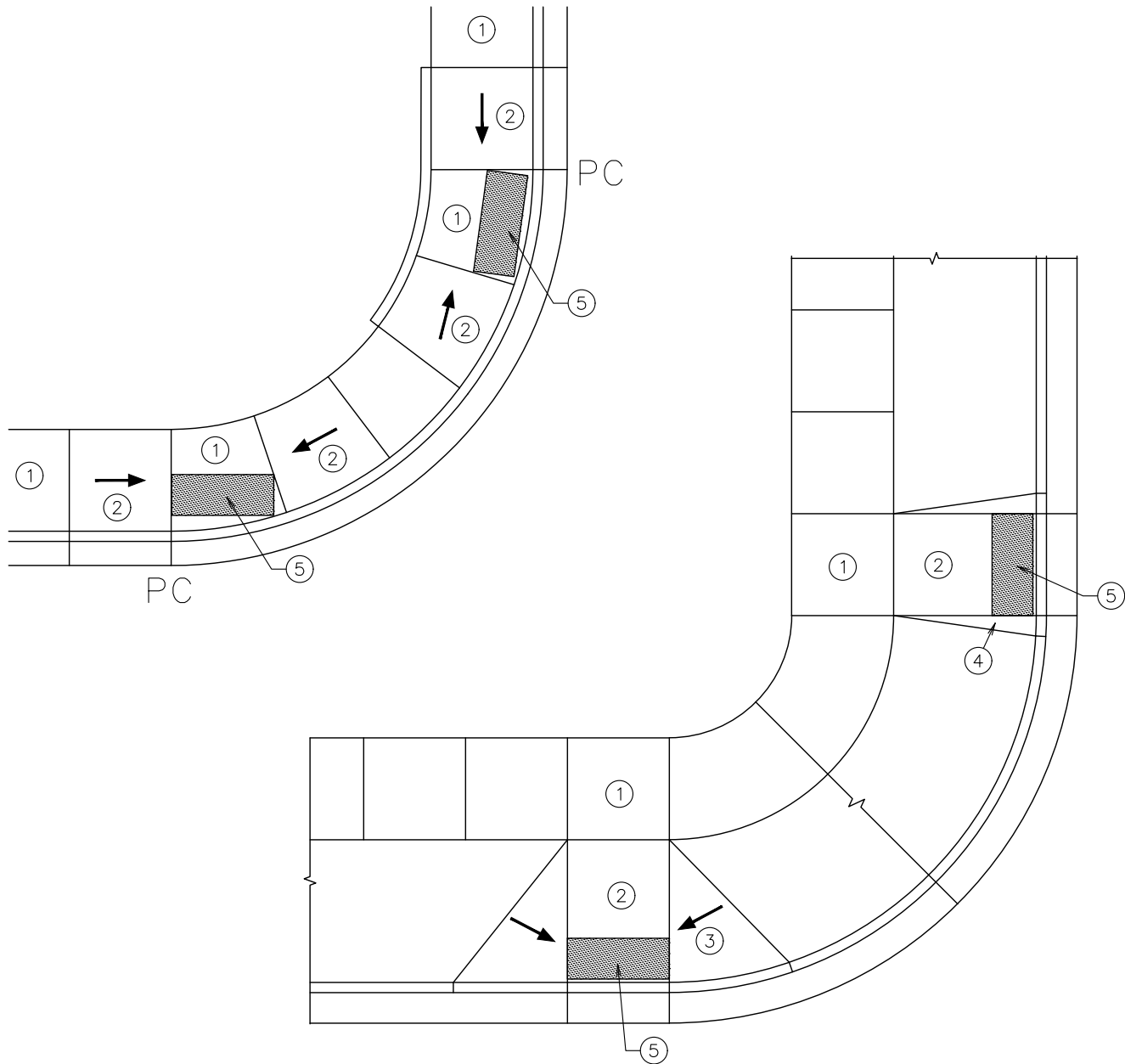
Engineering Division

### Curb Ramp Details (Sheet 2 of 4)

Approved By  
City Engineer  
Kevin J. Slovarp

Adopted: 01/30/1980  
Revised: 08/23/2021

**STD - 751-2**



KEYED NOTES:

- ① LANDING. 5' X 5' PREFERRED DIMENSION, 4' X 4' MINIMUM. MAXIMUM SLOPE IS 2% IN ANY DIRECTION.
- ② RAMP. 8.3% MAXIMUM RUNNING SLOPE. 2% MAXIMUM CROSS-SLOPE.
- ③ FLARED SIDE. 10% MAXIMUM SLOPE.
- ④ 1' FLARED TRANSITION FROM CURB LAY-DOWN TO TOP OF CURB.
- ⑤ DETECTABLE WARNING PANELS PER STD-750.
- ⑥ CONCRETE SIDEWALK SECTIONS, BASE, AND SUB GRADE PER STD-752.



Engineering Division

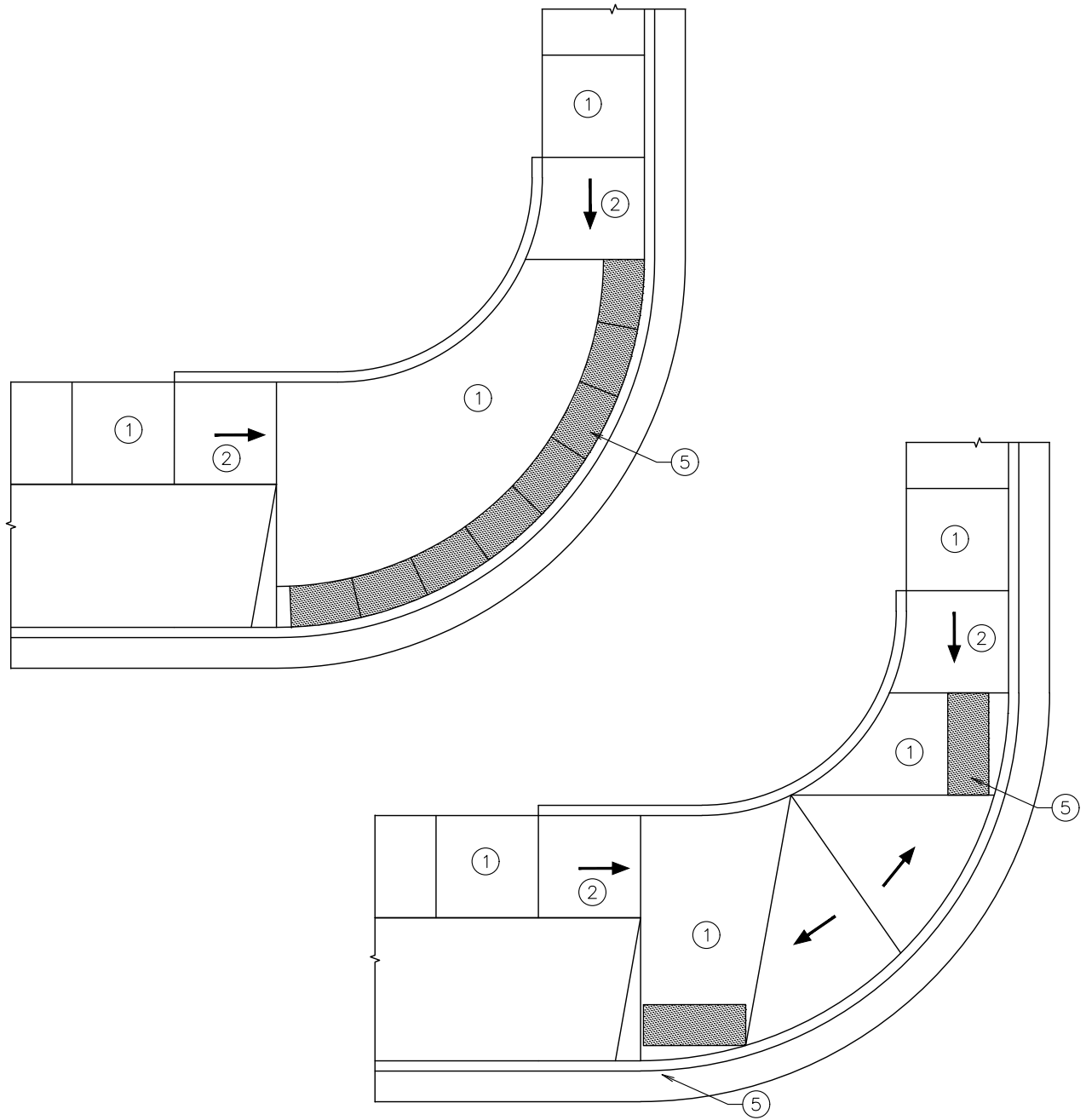
Curb Ramp Details (Sheet 3 of 4)

*Kevin J. Slovarp*

Approved By  
City Engineer  
Kevin J. Slovarp

Adopted: 01/30/1980  
Revised: 08/23/2021

**STD - 751-3**



KEYED NOTES:

- ① LANDING. 5' X 5' PREFERRED DIMENSION, 4' X 4' MINIMUM. MAXIMUM SLOPE IS 2% IN ANY DIRECTION.
- ② RAMP. 8.3% MAXIMUM RUNNING SLOPE. 2% MAXIMUM CROSS-SLOPE.
- ③ FLARED SIDE. 10% MAXIMUM SLOPE.
- ④ 1' FLARED TRANSITION FROM CURB LAY-DOWN TO TOP OF CURB.
- ⑤ DETECTABLE WARNING PANELS PER STD-750.
- ⑥ CONCRETE SIDEWALK SECTIONS, BASE, AND SUB GRADE PER STD-752.



Engineering Division

Curb Ramp Details (Sheet 4 of 4)

*Kevin J. Slovarp*

Approved By  
City Engineer  
Kevin J. Slovarp

Adopted: 01/30/1980  
Revised: 08/23/2021

**STD - 751-4**