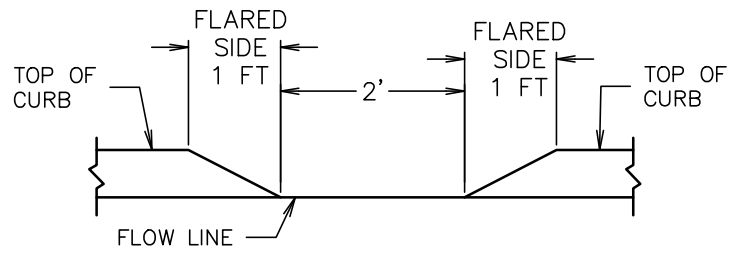
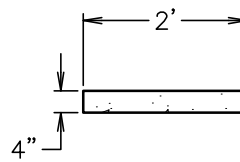


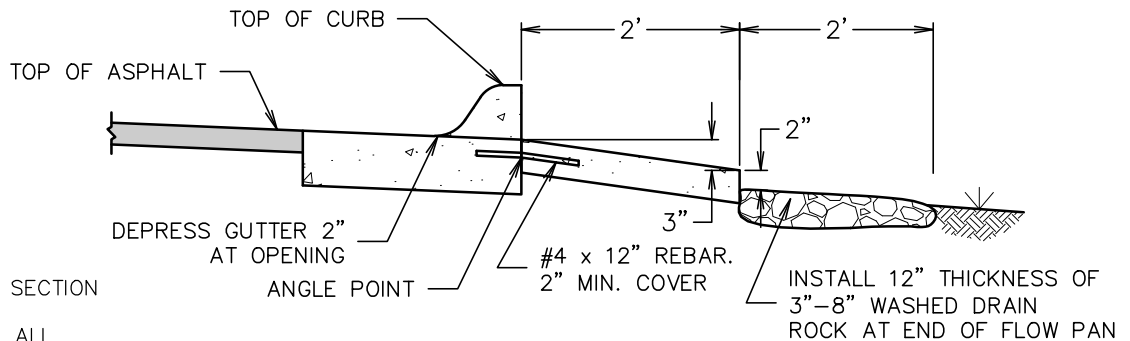
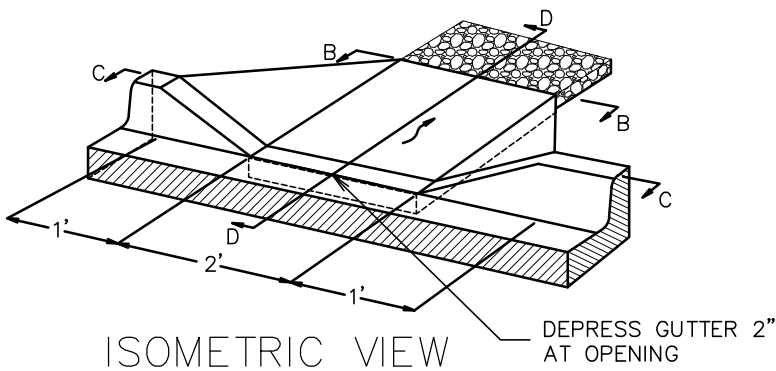
PLAN VIEW



SECTION C-C



SECTION B-B



SECTION D-D

GENERAL NOTES:

1. POUR ENTIRE CURB OPENING SECTION AS MONOLITHIC SLAB
2. PROVIDE FLOW CHANNEL FOR ALL OPENINGS ON GRADE
3. SEE STANDARD DRAWING STD-740 'TYPICAL "L" CURB/GUTTER SECTION' FOR CURB/GUTTER SPECIFICATIONS

December 2021



Engineering Division

Curb Opening

Approved By
Utility Engineer
Andy Schultz, PE

Revised: 09/28/2020

STD - 607