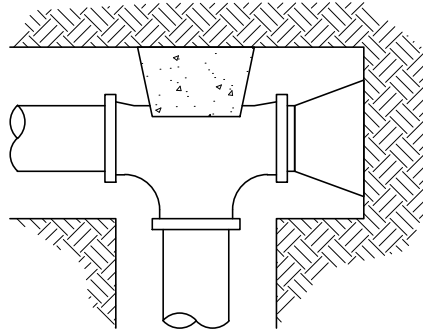
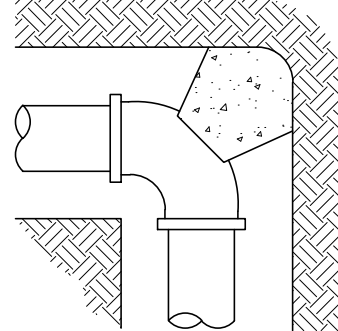


TEE



TEE (PLUGGED)



BEND

DIMENSIONS FOR THRUST BLOCKING

FITTING SIZES	TEES & PLUGS		90° BEND		45° BEND & WYES		REDUCERS & 22 1/2° BEND	
	A	B	A	B	A	B	A	B
4" & 6"	2'-0"	1'-11"	2'-5"	2'-2"	1'-10"	1'-7"	1'-9"	0'-10"
8"	2'-8"	2'-6"	3'-2"	3'-0"	2'-5"	2'-1"	1'-9"	1'-6"
10"	4'-0"	3'-3"	4'-0"	3'-10"	3'-0"	2'-9"	2'-2"	1'-11"
12"	4'-0"	3'-10"	4'-8"	4'-8"	3'-8"	3'-3"	2'-7"	2'-3"
16"	4'-6"	4'-0"	5'-0"	4'-8"	4'-0"	3'-0"	3'-0"	2'-6"
20"	5'-0"	5'-0"	7'-0"	5'-0"	4'-6"	4'-0"	3'-0"	3'-0"
24"	6'-10"	5'-0"	10'-0"	5'-0"	5'-8"	4'-6"	3'-8"	3'-8"

GENERAL NOTES:

1. CONSTRUCTION MATERIALS AND PROCEDURES SHALL COMPLY WITH MONTANA PUBLIC WORKS STANDARD SPECIFICATIONS (MPWSS), 7TH EDITION, APRIL 2021, AS MODIFIED BY THE MISSOULA CITY PUBLIC WORKS STANDARDS AND SPECIFICATIONS MANUAL, APPENDIX 2-A (STANDARD MODIFICATIONS TO MPWSS), CURRENT EDITION.
2. THIS TABLE IS BASED ON 2000 PSF SOIL BEARING PRESSURE AND 150 PSI MAIN PRESSURE.
3. WRAP ALL FITTINGS WITH POLYETHYLENE PRIOR TO PLACING CONCRETE.



Engineering Division

Thrust Block Detail

Logan McInnis

Approved By
Utilities Engineer
Logan McInnis, PE

Revised: 01/01/2023

STD - 407