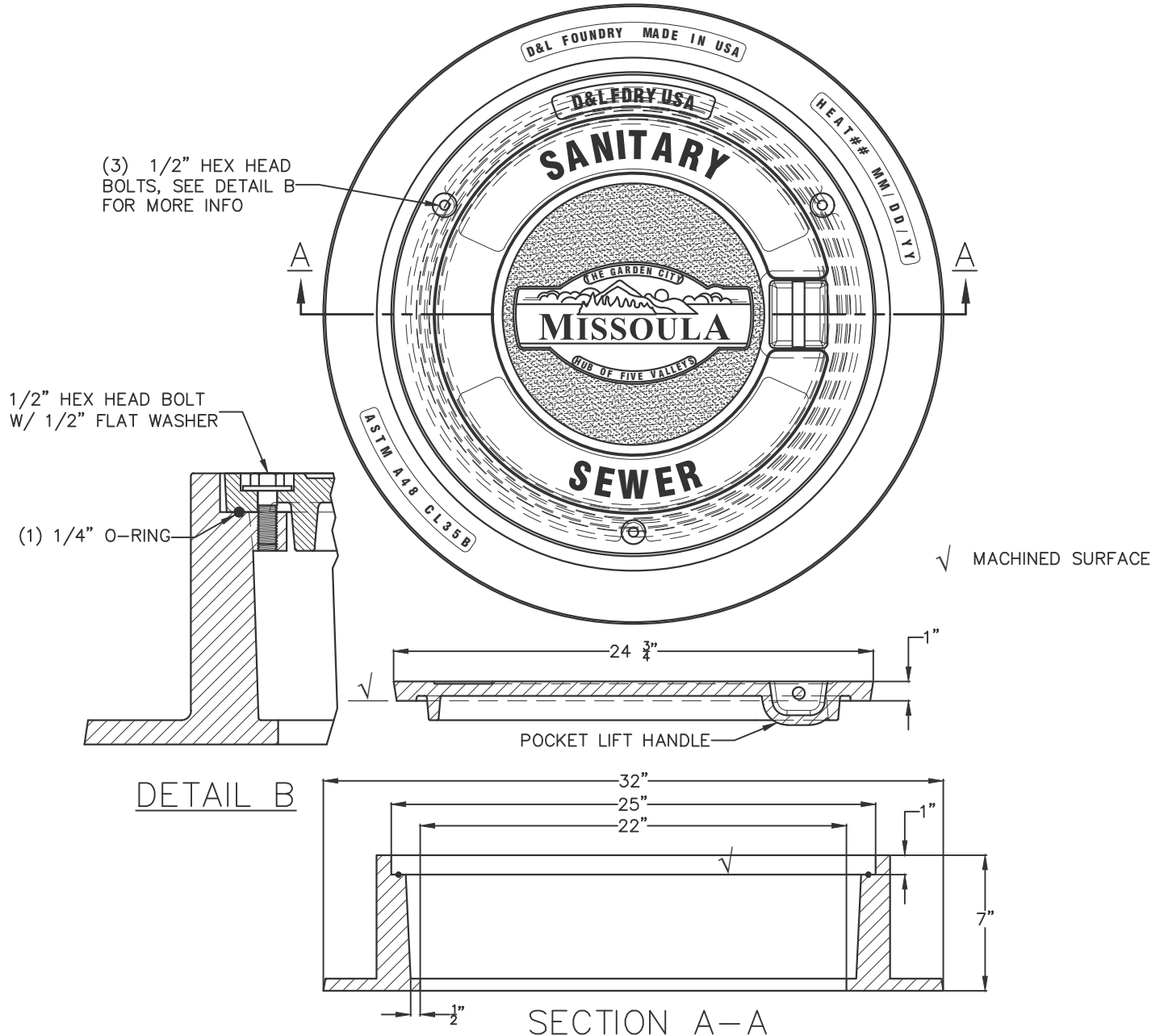


EJCO 3777Z1/AGS, D&L A-1171 LOCKABLE
OR APPROVED EQUIVALENT



GENERAL NOTES:

1. CONSTRUCTION MATERIALS AND PROCEDURES SHALL COMPLY WITH MONTANA PUBLIC WORKS STANDARD SPECIFICATIONS (MPWSS), 7TH EDITION, APRIL 2021, AS MODIFIED BY THE MISSOULA CITY PUBLIC WORKS STANDARDS AND SPECIFICATIONS MANUAL, APPENDIX 2-A (STANDARD MODIFICATIONS TO MPWSS), CURRENT EDITION.
2. D&L FOUNDRY A-1171 BOLT DOWN, WATER TIGHT LIDS ARE REQUIRED FOR ALL CITY-OWNED AND PRIVATELY-OWNED MANHOLES. PRIVATELY OWNED MANHOLES SHALL BE TEXTURED SLIP RESISTANT LID WITHOUT CITY LOGO AND LABELED WITH THE WORDS "SANITARY SEWER".
3. PROVIDE LIDS AND RINGS THAT MEET AASHTO 306 HS20 LOADING RATING OR HIGHER.
4. COMPOSITE TAPERED GRADE RINGS SHALL BE USED TO MATCH FRAME & GRATE TO THE CURB LINE CROSS SLOPE AND RUNNING SLOPE OR STREET CROSS SLOPE AND RUNNING SLOPE WHERE NOT IN CONCRETE.
5. A 4-INCH MANHOLE RING MAY BE USED IN LIEU OF A 7-INCH RING ONLY WITH PRIOR APPROVAL FROM CITY ENGINEERING.



Engineering Division

Sanitary Sewer Lid

Ross Mollenhauer

Approved By Utility
Project Manager –
Ross Mollenhauer, PE

Adopted: 09/28/2020
Revised: 01/01/2023

STD - 510