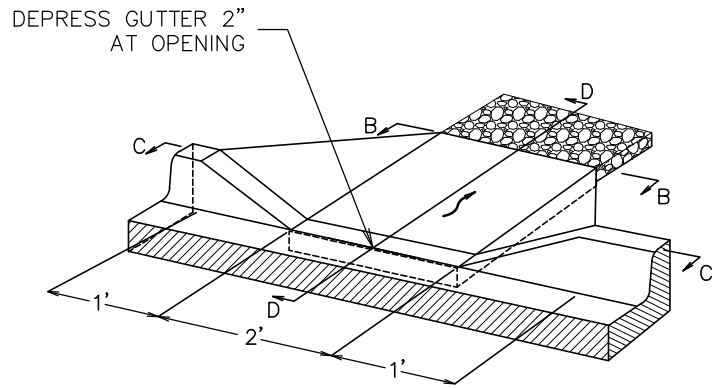
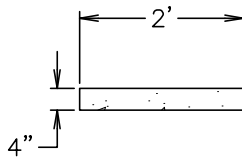


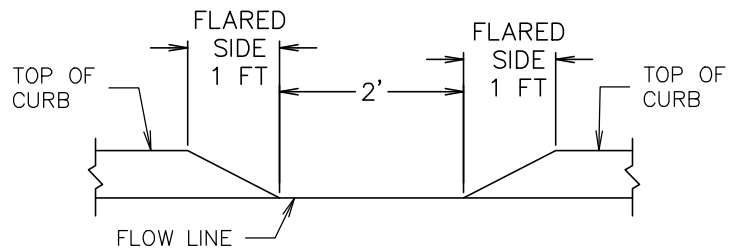
PLAN VIEW



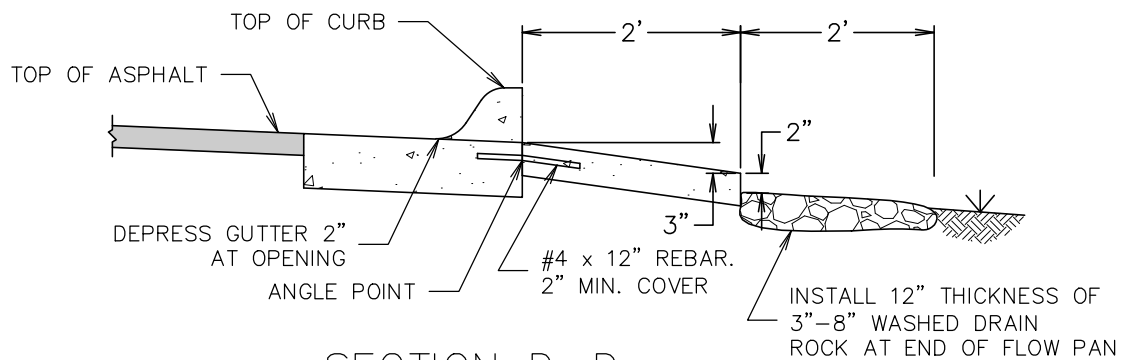
ISOMETRIC VIEW



SECTION B-B



SECTION C-C



SECTION D-D

GENERAL NOTES:

1. CONSTRUCTION MATERIALS AND PROCEDURES SHALL COMPLY WITH MONTANA PUBLIC WORKS STANDARD SPECIFICATIONS (MPWSS), 7TH EDITION, APRIL 2021, AS MODIFIED BY THE MISSOULA CITY PUBLIC WORKS STANDARDS AND SPECIFICATIONS MANUAL, APPENDIX 2-A (STANDARD MODIFICATIONS TO MPWSS), CURRENT EDITION.
2. POUR ENTIRE CURB OPENING SECTION AS MONOLITHIC SLAB
3. PROVIDE FLOW CHANNEL FOR ALL OPENINGS ON GRADE
4. SEE STANDARD DRAWING STD-740 'TYPICAL "L" CURB/GUTTER SECTION' FOR CURB/GUTTER SPECIFICATIONS



Engineering Division

Curb Opening

*AS*

Approved By  
Utility Engineer  
Andy Schultz, PE

Revised: 01/01/2023

STD - 607