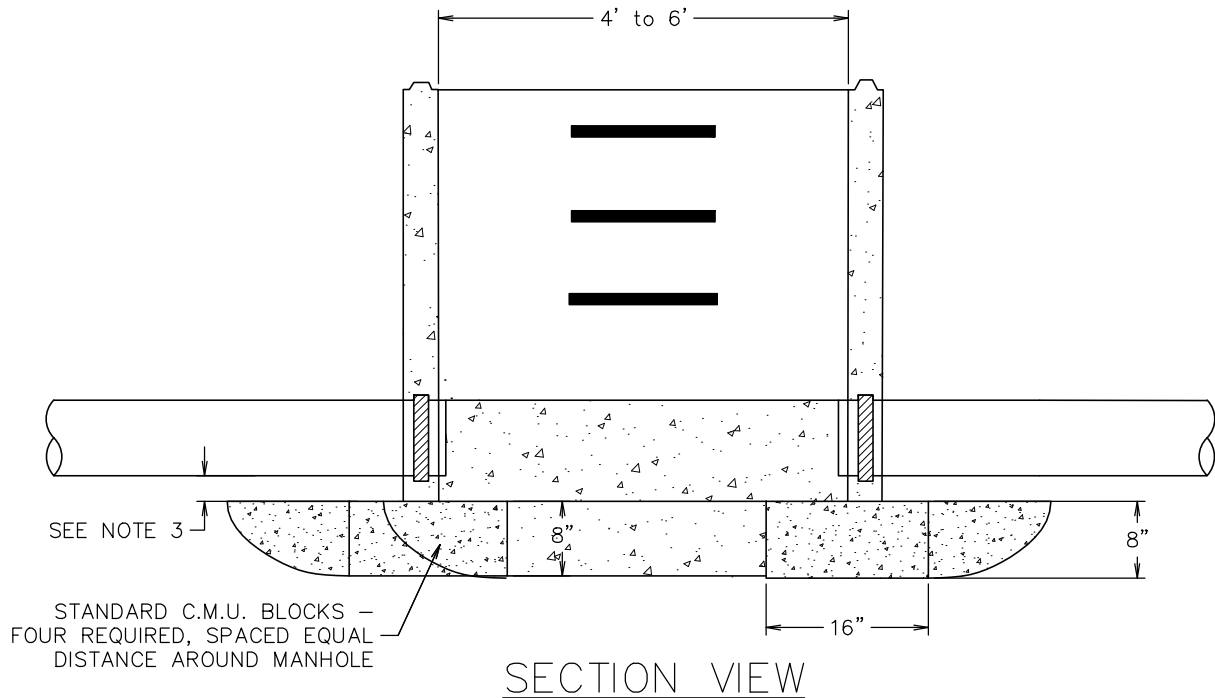


PLAN VIEW



SECTION VIEW

GENERAL NOTES

1. CONSTRUCTION MATERIALS AND PROCEDURES SHALL COMPLY WITH MONTANA PUBLIC WORKS STANDARD SPECIFICATIONS (MPWSS), 7TH EDITION, APRIL 2021, AS MODIFIED BY THE MISSOULA CITY PUBLIC WORKS STANDARDS AND SPECIFICATIONS MANUAL, APPENDIX 2-A (STANDARD MODIFICATIONS TO MPWSS), CURRENT EDITION.
2. BASE AND FILL CONCRETE MAY BE POURED MONOLITHICALLY.
3. ONE-HALF (1/2") INCH SPACING MAY BE OMITTED WHEN BASE AND FILL CONCRETE ARE POURED MONOLITHICALLY.



Engineering Division

Stormwater Manhole - Dog House Base (Sheet 2 of 3)

AS

Approved By
Utility Engineer
Andy Schultz, PE

Adopted: 09/28/2020
Revised: 01/01/2023

STD - 612-2