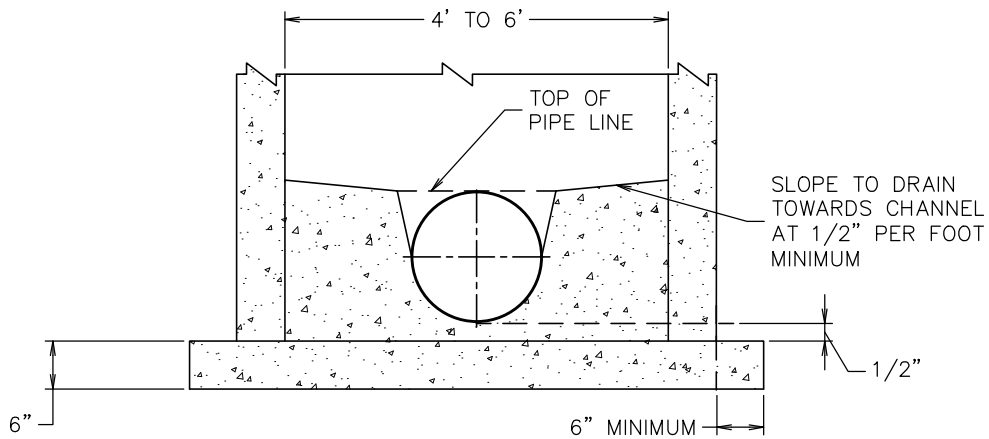


PLAN VIEW



SECTION VIEW

GENERAL NOTES

1. CONSTRUCTION MATERIALS AND PROCEDURES SHALL COMPLY WITH MONTANA PUBLIC WORKS STANDARD SPECIFICATIONS (MPWSS), 7TH EDITION, APRIL 2021, AS MODIFIED BY THE MISSOULA CITY PUBLIC WORKS STANDARDS AND SPECIFICATIONS MANUAL, APPENDIX 2-A (STANDARD MODIFICATIONS TO MPWSS), CURRENT EDITION.